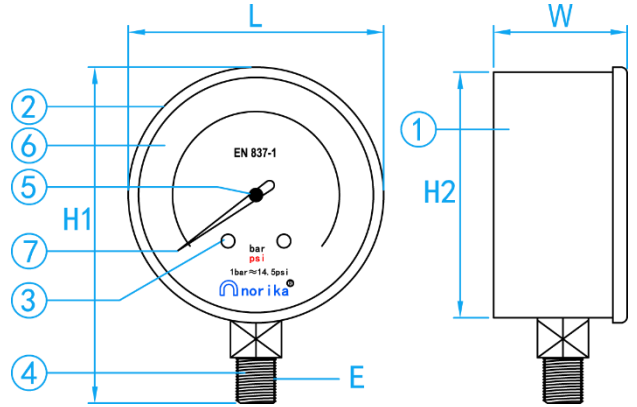
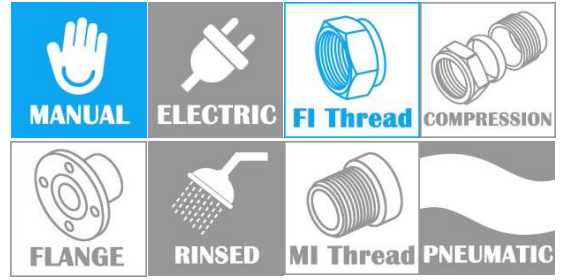


STANDARD DRY PRESSURE GAUGE (MODEL:WT-8001)



FRONT VIEW

SIDE VIEW

COMPONENT PARTS

ITEM	PARTS	MATERIAL
1	Case	Steel
2	Viewing lens	ABS
3	Screw	Stainless Steel
4	Socket	Brass
5	Indicator needle	Aluminium Black Painted
6	Dial	Aluminium White Painted With Black/ Red Marking
7	Stop Pin	Aluminium

*Calibration certificates are provided upon customer request (Additional added cost will be included)

STANDARD SPECIFICATIONS

SKU	SIZE(mm)	L(mm)	W(mm)	H1(mm)	H2(mm)	E	PCS/CTN	OPERATING PRESSURE
PG050030	50	52	27	71	51	1/4" BSPT	100	0-30Psi kg/cm ² 2bar
PG050060	50	52	27	70	51	1/4" BSPT	100	0-60Psi kg/cm ² 4bar
PG065060	65	62	28	81	61	1/4" BSPT	75	0-100Psi kg/cm ² 6.5bar
PG050100	50	52	27	70	51	1/4" BSPT	100	0-150Psi kg/cm ² 10bar
PG065100	65	62	28	81	61	1/4" BSPT	75	0-300Psi kg/cm ² 20bar
PG080100	80	81	33	107	79.5	3/8" BSPT	50	0-400Psi kg/cm ² 28bar
PG100100	100	100	36	129	98.5	1/2" BSPT	50	0-500Psi kg/cm ² 35bar
PG050150	50	52	27	70	51	1/4" BSPT	100	
PG065150	65	62	28	81	61	1/4" BSPT	75	
PG080150	80	81	33	107	79.5	3/8" BSPT	50	
PG100150	100	100	36	129	98.5	1/2" BSPT	50	
PG050300	50	52	27	70	51	1/4" BSPT	100	
PG065300	65	62	28	81	61	1/4" BSPT	75	
PG080300	80	81	33	107	79.5	3/8" BSPT	50	
PG100300	100	100	36	129	98.5	1/2" BSPT	50	
PG050400	50	52	27	70	51	1/4" BSPT	100	
PG065400	65	62	28	81	61	1/4" BSPT	75	
PG080400	80	81	33	107	79.5	3/8" BSPT	50	
PG100400	100	100	36	129	98.5	1/2" BSPT	50	
PG050500	50	52	27	70	51	1/4" BSPT	100	
PG065500	65	62	28	81	61	1/4" BSPT	75	
PG080500	80	81	33	107	79.5	3/8" BSPT	50	
PG100500	100	100	36	129	98.5	1/2" BSPT	50	

* When releasing of pressure, please open release valve slowly to avoid pin out of calibration.