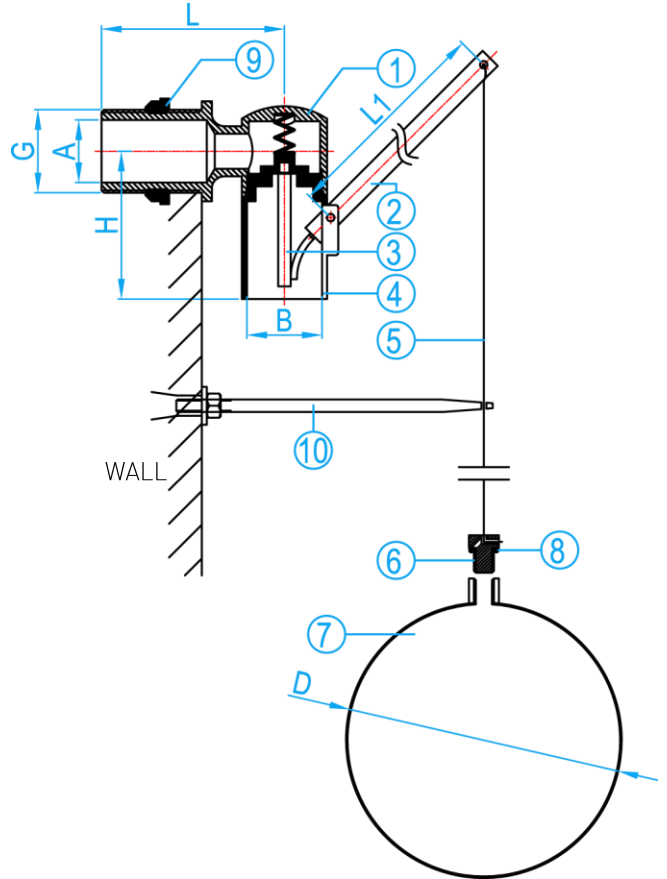


VERTICAL BALL FLOAT VALVE

COMPLY WITH BS1212 : PART1 : 1990



SECTION VIEW

COMPONENT PARTS

ITEM	PARTS	MATERIAL
1	Body	DZR Brass
2	Float Rod	AISI304
3	Piston	AISI304
4	Body	DZR Brass
5	Line	Nylon
6	Nut	AISI304
7	Ball	AISI304
8	Seal	EPDM
9	Lock Nut	DZR Brass
10	Rod	AISI304

STANDARD SPECIFICATIONS

Pneumatic Pressure Test	14kg
Working Temperature	0°C ≤ t ≤ 65°C

DIMENSIONS

SKU	G (inch)	A (mm)	B (mm)	L (mm)	L1 (mm)	H (mm)	Length of Line	Weight (kg)
BFVFN15	1/2" BSP	15	22	62	150	59	1.5m	0.600
BFVFN25	1" BSP	25	30	73	150	59	1.5m	1.100