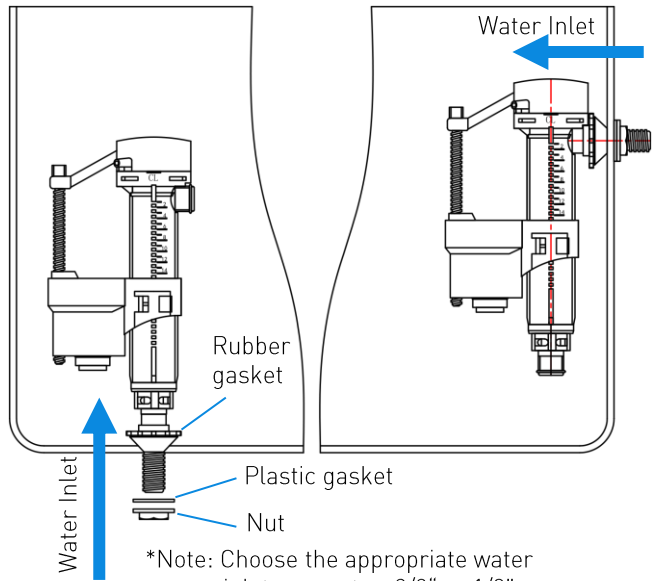
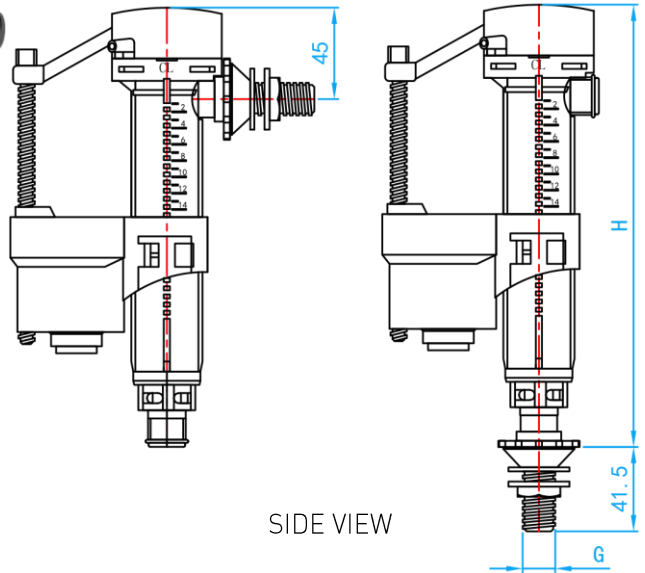


WC DUAL INLETS PLASTIC FLOAT VALVES WITH 3/8" AND 1/2" INLET ADAPTORS



COMPONENT PARTS		
ITEM	PARTS	MATERIAL
1	Body	ABS + POM

STANDARD SPECIFICATIONS	
Working Medium	Water
Working Pressure	0.2 – 5Bar
Working Temperature	1°C ≤ t ≤ 45 °C

SPECIFICATIONS

SKU	INLET SIZE G (inch)	ADJUSTING ISTANCE H (inch)	WEIGHT (Kg)	PCS/CTN
BFVNHJ1226	1/2" BSP & 3/8" BSP	9" to 13"	0.232	30