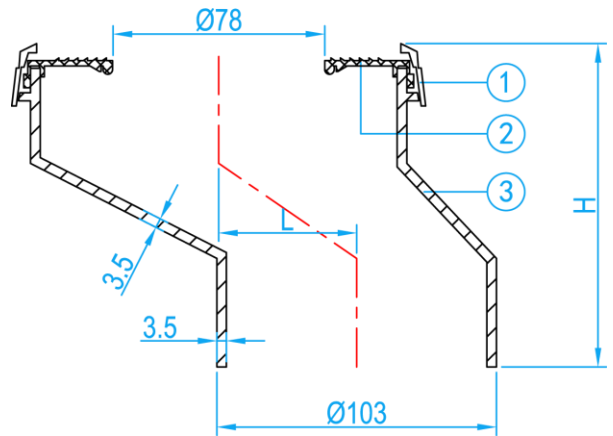
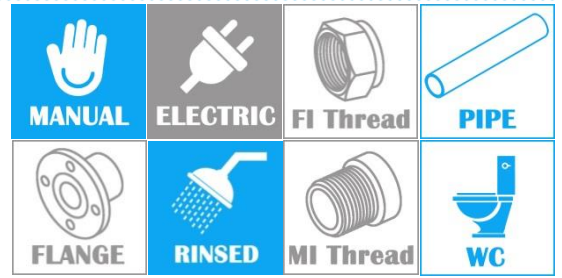


WATER CLOSET STRAIGHT & OFFSET PAN COLLAR

COMPLY WITH SS 213:1998
BS 5627:1984
SS 270:2015



SECTION VIEW

COMPONENT PARTS

ITEM	PARTS	MATERIAL
1	Cover	PVC
2	Seal	EPDM
3	Body	PVC

DIMENSIONS

SKU	TYPES	L (mm)	H (mm)	WEIGHT (kg)	PCS/CTN
213PC100	STRAIGHT	0	80	0.288	40
213PC10025	1" OFFSET	25	106	0.302	20
213PC10050	2" OFFSET	50	119	0.295	20