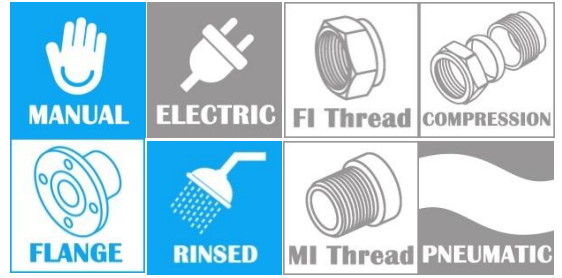
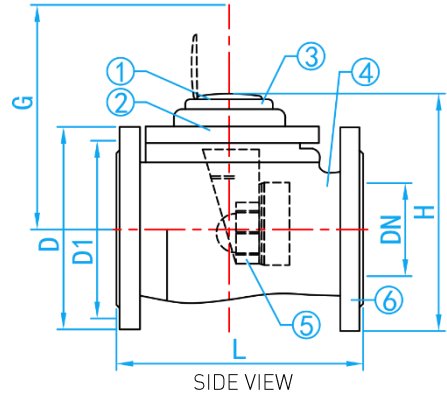


DUCTILE IRON WOLTMAN DRY DIAL COLD WATER METER (CLASS B)

COMPLY WITH AS/NZS 4020
SS 375:2015



PUB general requirements for private water meter,
1.Colour ---Grey.
2.Information on the lid—
(a) Water meter usage monitoring purpose
(b) Date of installation and
(c) Remark.


COMPONENT PARTS

ITEM	PARTS	MATERIAL
1	Lid	Plastic
2	Sealed Register	ABS
3	Sealing Ring	Plastic
4	Body	Ductile Iron
5	Impeller	Plastic
6	Flange	Ductile Iron

STANDARD SPECIFICATIONS

Water Temperature	0 - 30°C
Operating Pressure	≤ 1.6Mpa

FLOW RATE SPECIFICATIONS

SKU	Q max Maximum flow rate [m ³ /h]	Q n Nominal flow rate [m ³ /h]	Qt Transitional flow rate [m ³ /h]	Q min Minimum flow rate [m ³ /h]
WMN065F-WP	78.75	63	1.26	0.7875
WMN080F-WP	78.75	63	1.26	0.7875
WMN100F-WP	125.0	100	2.00	1.2500
WMN150F-WP	312.50	250	5.00	3.1250
WMN200F-WP	500.00	400	8.00	5.0000
WMN250F-WP	787.50	630	12.60	7.8750
WMN300F-WP	1250.00	1000	20.00	12.5000
WMN350F-WP	1250.00	1000	20.00	12.5000
WMN400F-WP	2000.00	1600	32.00	20.0000
WMN500F-WP	3125.00	2500	50.00	31.2500

DIMENSIONS

SKU	DN (mm)	L (mm)	H (mm)	G (mm)	CONNECTING FLANGE		WEIGHT (kg)	PCS/CTN
					D	D1		
WMN065F-WP	65	200	262	360	185	145	13.0	1
WMN080F-WP	80	225	272	360	200	160	14.4	1
WMN100F-WP	100	250	282	360	220	180	17.5	1
WMN150F-WP	150	300	341	420	285	240	38.0	1
WMN200F-WP	200	350	370	500	340	295	42.1	1
WMN250F-WP	250	450	480	710	405	355	108.0	1
WMN300F-WP	300	500	516	730	460	410	128.0	1
WMN350F-WP	350	500	560	730	520	470	162.0	1
WMN400F-WP	400	600	647	830	580	525	213.0	1
WMN500F-WP	500	800	785	930	715	650	340.0	1

- *1] Ensure water meter is installed in the correct water flow direction.
- 2] Always ensure to select the correct size and spec for the meter.
- 3] This meters can be installed in the horizontal, vertical and inclined position.
- 4] The height "G" is necessary for removing the measuring element.