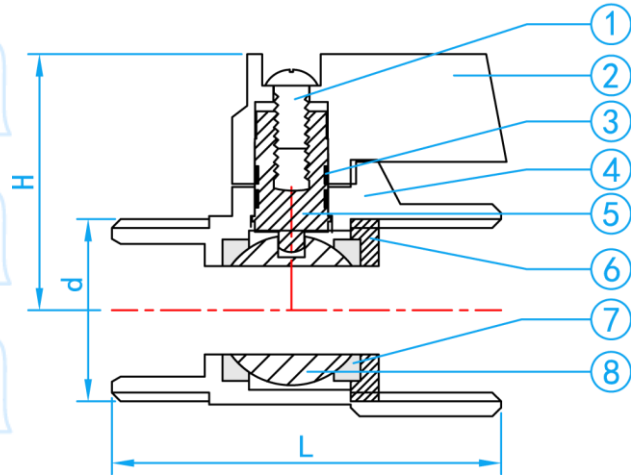
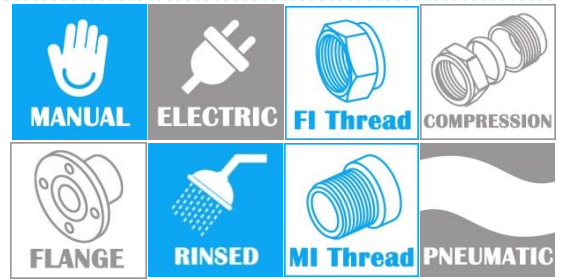


MINI BALL VALVE MXF

COMPLY WITH BSEN12165:2016
 AS/NZS4020:2005
 BSEN13828:2003
 SS375:2015



CROSS SECTIONAL VIEW

STANDARD SPECIFICATION

Working Pressure	200Psi
Applicable Medium	Water

COMPONENT PARTS

ITEM	PARTS	MATERIAL
1	Screw	AISI304
2	Handle	Zinc Alloy
3	O-ring	EPDM
4	Body	Nickel-plated DZR Brass
5	Stem	DZR Brass
6	Seal Retainer	DZR Brass
7	Seat	Teflon
8	Ball	Chrome-plated DZR Brass

DIMENSIONS

SKU	SIZE (mm)	H (mm)	d (inch)	L (mm)	WEIGHT (kg)	PCS/CTN
MBVCRN006	7	26	1/4" BSP	46	0.0700	270
MBVCRN015	15	29	1/2" BSP	45	0.0950	200
MBVCRN020	20	34	3/4" BSP	55	0.1697	100
MBVCRN025	25	36	1" BSP	62	0.2452	100