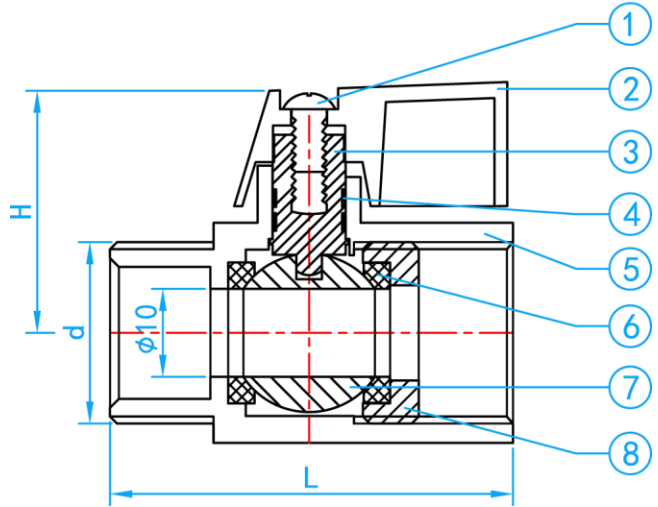


CHROME PLATED MINI BALL VALVE M x F

COMPLY WITH BSEN12165:2011
 AS/NZS4020:2005
 BSEN13828:2003
 SS375:2001



CROSS SECTIONAL VIEW

STANDARD SPECIFICATION

Working Pressure	200Psi
Applicable Medium	Water

COMPONENT PARTS

ITEM	PARTS	MATERIAL
1.	Screw	AISI304
2.	Handle	Zinc Alloy
3.	Body	Chrome-plated DZR Brass
4.	O-ring	EPDM
5.	Stem	DZR Brass
6.	Seat Retainer	DZR Brass
7.	Seat	Teflon
8.	Ball	Chrome-plated DZR Brass

DIMENSIONS

SKU	SIZE [mm]	H [mm]	d [mm]	L [mm]	WEIGHT [kg]	PCS/CTN
MBVCRN015CP	15	29	½" BSP	45	0.115	200