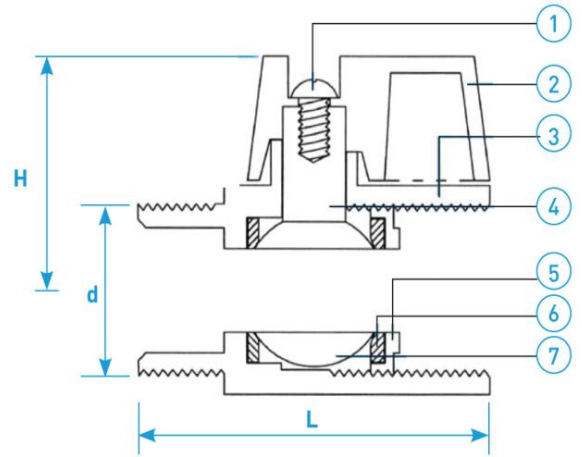
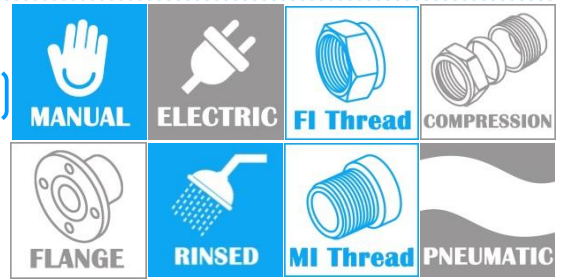


2 WAY MINI BALL VALVE (DIVERTER MINI BALL VALVE)

COMPLY WITH BSEN 13828:2003



CROSS SECTIONAL VIEW

STANDARD SPECIFICATION

Working Pressure	200Psi
Applicable Medium	Water

COMPONENT PARTS

ITEM	PARTS	MATERIAL
1	Screw	AISI304
2	Handle	Zinc Alloy
3	Body	Chrome plated DZR Brass
4	Stem	DZR Brass
5	Seat Retainer	DZR Brass
6	Seat	Teflon
7	Ball	Chrome plated DZR Brass

DIMENSIONS

SKU	VALVE SIZE (mm)	H (mm)	d (inch)	L (mm)
2WMBVCRN15	15	28	½" BSP	45