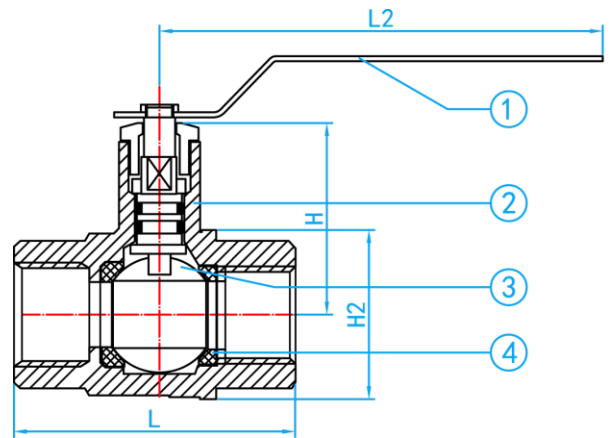
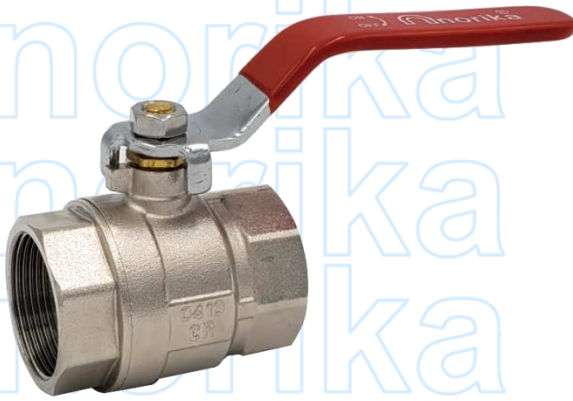
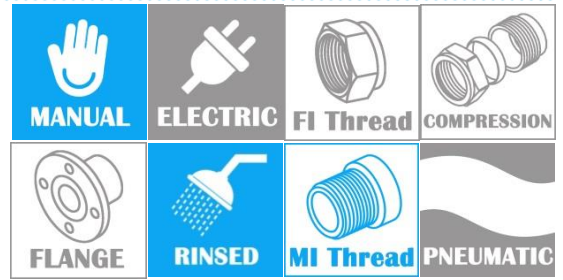


BRASS CR FULL BORE BALL VALVE CHROME PLATED



CROSS SECTIONAL VIEW

COMPONENT PARTS

ITEM	PARTS	MATERIAL
1	Handle	PVC Coated Steel
2	Valve Body	DZR Brass
3	Ball	DZR Brass
4	Seat	PTFE

STANDARD SPECIFICATIONS

Max Pressure	16bars
Working Medium	Water
Working Temperature	-20°C ≤ t ≤ 120 °C

DIMENSIONS

SKU	DN (mm)	SIZE (inch)	H (mm)	H2 (mm)	L (mm)	L2 (mm)	WEIGHT (kg)	PCS/CTN
BVCRN015F	15	½" BSP	22	26	47	88	0.17	144
BVCRN020F	20	¾" BSP	26	33	53	88	0.26	96
BVCRN025F	25	1" BSP	32	42	64	110	0.41	48
BVCRN035F	32	1¼" BSP	39	58	79	135	0.66	32
BVCRN042F	42	1½" BSP	46	64	85	145	1.11	24
BVCRN050F	50	2" BSP	54	79	100	142	1.9	16
BVCRN065F	65	2½" BSP	67	95	134	210	2	8
BVCRN080F	80	3" BSP	84	120	150	240	2.36	4
BVCRN100F	100	4" BSP	92	144	180	240	2.36	2