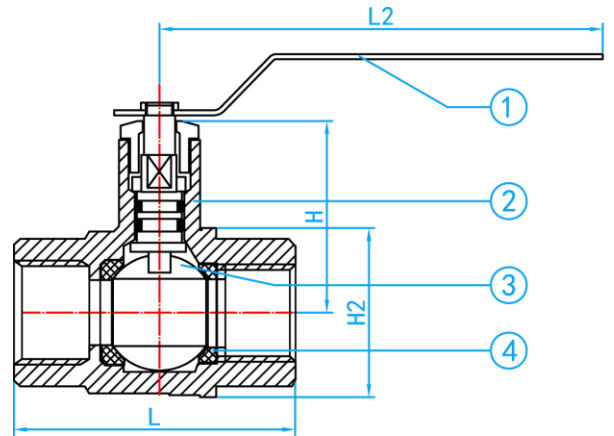


STAINLESS STEEL 316L FULL BORE BALL VALVE

COMPLY WITH BSEN13828:2003
 AZ/NZS4020:2005
 SS375: 2015
 ASTM E 1086:2014



CROSS SECTIONAL VIEW

COMPONENT PARTS

ITEM	PARTS	MATERIAL
1	Handle	PVC Coated Steel
2	Valve Body	AISI316L
3	Ball	AISI316L
4	Seat	PTFE

STANDARD SPECIFICATIONS

Max Pressure	16bars
Working Medium	Water
Working Temperature	-20°C ≤ t ≤ 120 °C

DIMENSIONS

SKU	DN (mm)	SIZE (inch)	H (mm)	H2 (mm)	L (mm)	L2 (mm)	WEIGHT (kg)	PCS/CTN
BVSS316N008	8	1/4" BSP	20	25	46	87	0.196	100
BVSS316N010	10	3/8" BSP	21	25.5	46.5	87.5	0.215	100
BVSS316N015	15	1/2" BSP	22	26	47	88	0.22	100
BVSS316N020	20	3/4" BSP	26	33	53	88	0.345	60
BVSS316N025	25	1" BSP	32	42	64	110	0.51	50
BVSS316N035	35	1 1/4" BSP	39	58	79	135	0.82	30
BVSS316N042	42	1 1/2" BSP	46	64	85	145	1.05	20
BVSS316N050	50	2" BSP	54	79	100	142	1.5	12
BVSS316N065	65	2 1/2" BSP	67	95	134	210	2.65	10
BVSS316N080	80	3" BSP	84	120	150	240	4.44	4
BVSS316N100	100	4" BSP	92	144	180	240	9.1	2