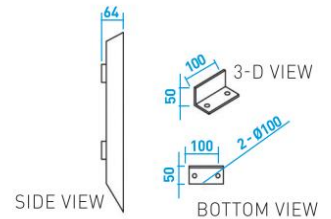
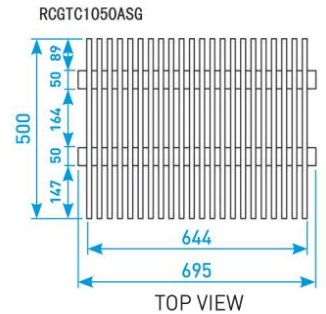


REVERSIBLE GREASE TRAP FRAME & COVER 1050 (CHEQUERED SIDE)

COMPLY WITH GENERAL REQUIREMENTS OF
PUB/WRN/STD/041A

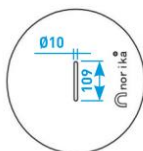


RCGTC1050, RCGTC1050MS
RCGTC1050MSHD20

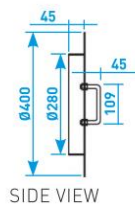


RCGTC1050AF, RCGTC1050MSAF
RCGTC1050MSHD20AF

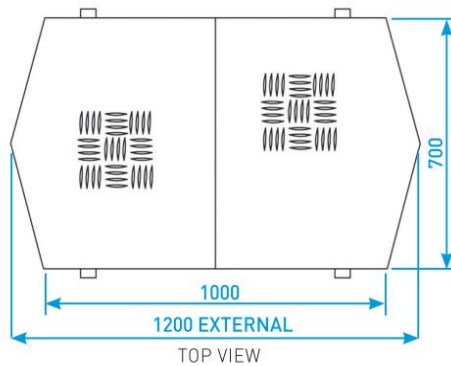
RCGTC1050AC



TOP VIEW

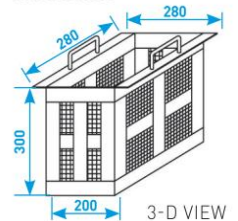


SIDE VIEW



TOP VIEW

RCGTC1050ASB



3-D VIEW

*** Available for aluminium and mild steel material**

DIMENSIONS

| SKU | MATERIAL | EXTERNAL[mm] | HEIGHT [mm] | WEIGHT [kg] |
|-----------------|------------|--------------|-------------|-------------|
| RCGTC1050 | Aluminium | 1200 X 700 | 53 | 20 |
| RCGTC1050MS | Mild-Steel | 1200 X 700 | 50 | 40 |
| RCGTC1050MSHD20 | Mild-Steel | 1200 X 700 | 86 | 150 |