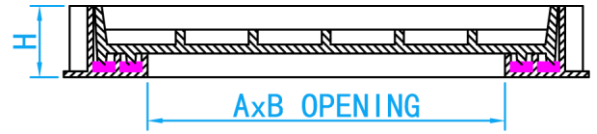


# DUCTILE IRON HEAVY DUTY AIR TIGHT RECESSED MANHOLE & FRAME

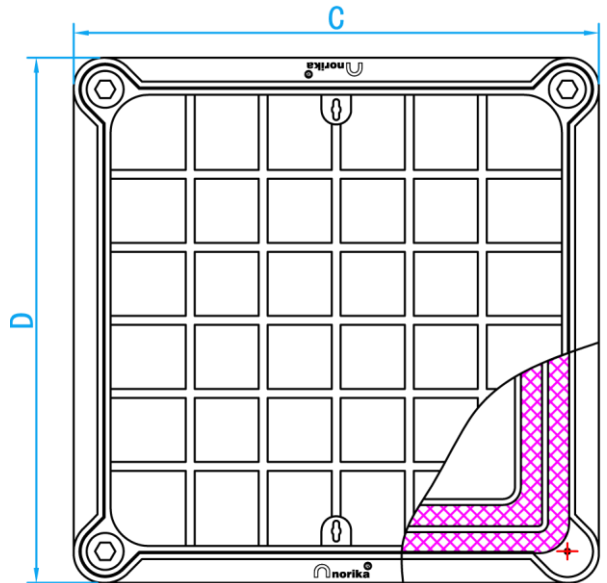


COMPLY WITH BSEN 124:1994[400KN]  
SS30:1999(2012)  
BS 9124:2008

Type of Weight (Symbol)	SS30 Grade	Design Load	Place of Installation	BSEN124	Design Load
	A1	400KN	In carriageways of expressways, arterial, industrial roads and parking areas for all types of road vehicles.	D400	400KN



CROSS SECTION VIEW



TOP VIEW

## DIMENSIONS

SKU	GRADE	MATERIAL	INTERNAL OPENING (AxB mm)	EXTERNAL (CxD mm)	HEIGHT H (mm)	WEIGHT (Kg)	Remarks / Optional
DIMCATRD400-0600	A1	Ductile Iron	600x600	882x882	120	140	Air / Water Tight