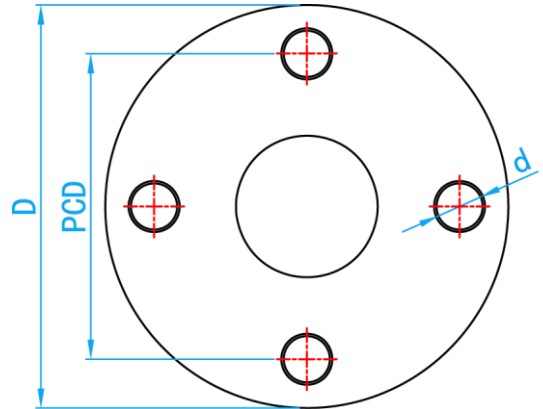
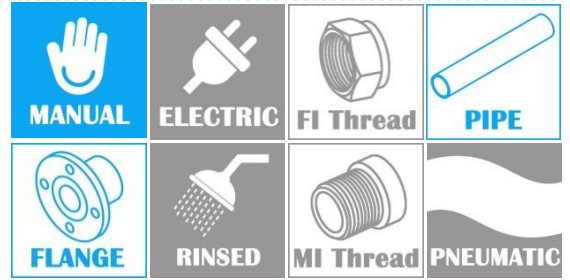
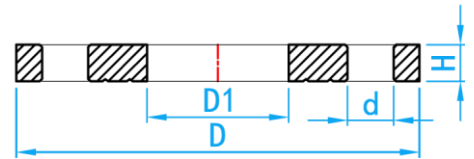


STAINLESS STEEL 304/ 316L FLANGE PN16

COMPLY WITH BS 4504 PN16



TOP VIEW



CROSS SECTIONAL VIEW

COMPONENT PARTS

PARTS	MATERIAL
Flange	AISI304 Or AISI316L

STANDARD SPECIFICATIONS

SKU		SIZE	D	D1	PCD	NOs OF HOLES	d	H	WEIGHT (kg)
AISI304	AISI316L	(mm)	(mm)	(mm)	(mm)		(mm)	(mm)	
SS304FPN16050SO	SS316LFPN16050SO	54	167	61	125	4	18	22	3.100
SS304FPN16080SO	SS316LFPN16080SO	80	200	96	160	8	18	22	3.900
SS304FPN16100SO	SS316LFPN16100SO	100	220	115	180	8	18	22	4.500
SS304FPN16150SO	SS316LFPN16150SO	150	285	165	240	8	22	22	6.900