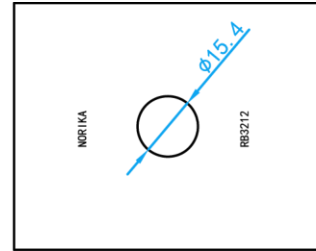
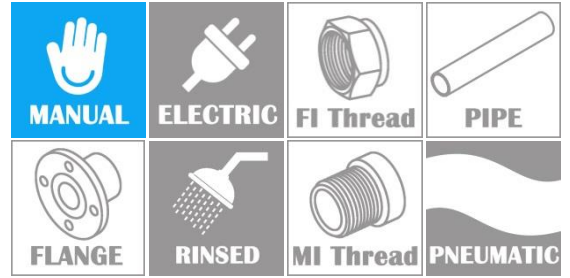
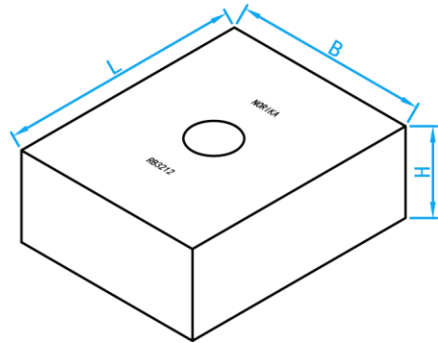


RUBBER BLOCK FOR PUMP



TOP VIEW



3-D VIEW

STANDARD SPECIFICATIONS

Temperature	80°C
Hardness	60±5

DIMENSIONS

SKU	MATERIAL	L (mm)	B (mm)	H (mm)	WEIGHT (kg)	PCS/CTN
RB3212	Natural Rubber	76.2	61.5	28.5	0.19	90