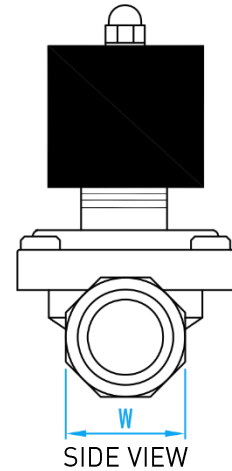
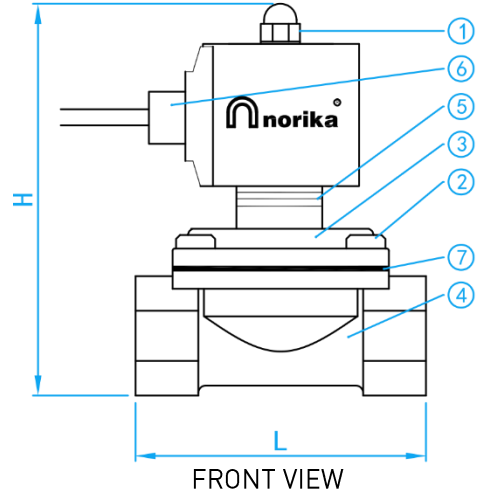


STAINLESS STEEL FLUID SOLENOID VALVE (NORMALLY CLOSED IP67)

COMPLY WITH BS5154:1991
AS/NZS4020:2005
IEC60529
IEC60335-1



STANDARD SPECIFICATIONS

Nominal Pressure	0-10 Bar
Voltage Rating	240V AC, 24V AC, 24V DC
Rated Power	Size: 15 ~ 25mm : 22W 35 ~ 50mm : 40W
Operating Temperature	-5°C ~ 120°C
Waterproof Grade	IP67

DIMENSIONS

SKU	SIZE (mm)	L (mm)	W (mm)	H (mm)	WEIGHT (kg)	PCS/CTN
SVSSN015 IP67	15	68	27	110	1.0	25
SVSSN020 IP67	20	71	32	117	1.5	25
SVSSN025 IP67	25	98	40	125	2.5	25
SVSSN035 IP67	35	115	4	160	3.0	12
SVSSN042 IP67	42	122	56	170	3.5	10
SVSSN050 IP67	50	166	66	192	5.2	6

COMPONENT PARTS

ITEM	PARTS	MATERIAL
1.	Nut & Washer	AISI304
2.	Bolt	AISI304
3.	Valve Bonnet	AISI304
4.	Valve Body	AISI304
5.	Spring Plunger	AISI304
6.	DIN Box	BMC
7.	O-Ring	EPDM