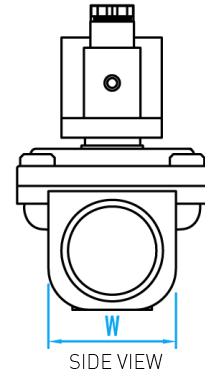
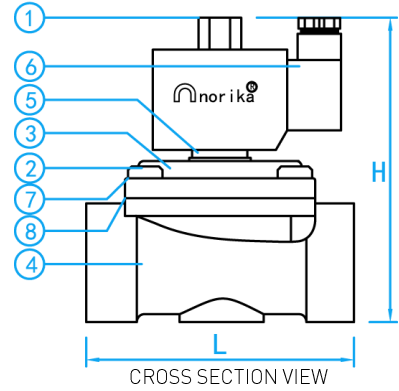


STAINLESS STEEL FLUID SOLENOID VALVE [NORMALLY OPENED IP65]

COMPLY WITH BS5154:1991
AS/NZS4020:2005
IEC 60529
IEC 60335-1:91


COMPONENT PARTS

ITEM	PARTS	MATERIAL
1	Nut	AISI304
2	Bolt	AISI304
3	Valve Bonnet	AISI304
4	Valve Body	AISI304
5	Spring Plunger	AISI304
6	DIN Box	BMC
7	O-ring	EPDM
8	Diaphragm	EPDM

STANDARD SPECIFICATIONS

Nominal Pressure	0-0.8 Bar
Voltage Rating	240V AC
Current Rating	15-25mm: 0.13A 35-50mm: 0.22A
Operating Temperature	-5°C ≤ t ≤ 120 °C
Waterproof Grade	IP65

DIMENSIONS

SKU	SIZE (mm)	L (mm)	W (mm)	H (mm)	WEIGHT (kg)	PCS/CTN
SVSSN015NO IP65	15	69	27	122	0.81	25
SVSSN020NO IP65	20	73	33	128	0.91	25
SVSSN025NO IP65	25	99	40	135	1.31	20
SVSSN035NO IP65	35	115	47	180	2.07	10
SVSSN042NO IP65	40	121	58	195	2.53	10
SVSSN050NO IP65	50	168	71	215	4.35	6