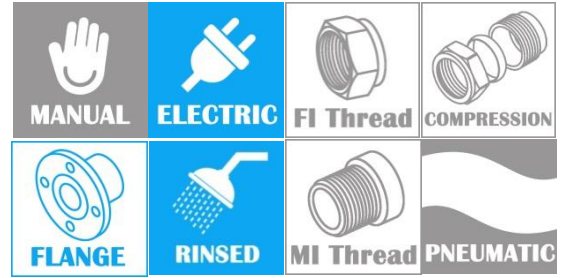
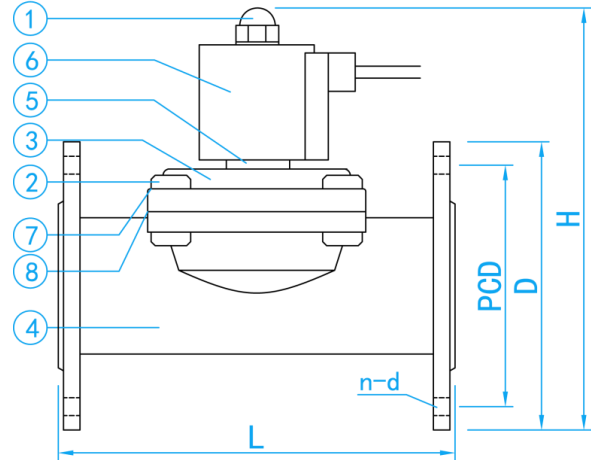


# STAINLESS STEEL FLANGE ENDED FLUID SOLENOID VALVE [NORMALLY CLOSED]



COMPLY WITH BS5154:1995  
BS4504  
AS/NZS4020:2005



SIDE VIEW

### COMPONENT PARTS

ITEM	PARTS	MATERIAL
1	Nut	Brass
2	Bolt	AISI304
3	Valve Bonnet	AISI304
4	Valve Body	AISI304
5	Spring Plunger	AISI304
6	DIN Box	BMC
7	O-ring	EPDM
8	Diaphragm	EPDM

### STANDARD SPECIFICATIONS

Nominal Pressure	(0.05-0.8)Mpa
Optional Voltage Rating	240V AC, 24V AC, 24V DC
Operating Temperature	-5°C ≤ t ≤ 120 °C
IP Grade	IP67

### DIMENSIONS

SKU	DN (mm)	L (mm)	PCD (mm)	n-d (mm)	D (mm)	H (mm)	WEIGHT (kg)	PCS/CTN
SVSSN065FIP67	65	230	145	4-18	185	222	7.5	1
SVSSN080FIP67	80	275	160	8-18	200	265	13.0	1
SVSSN100FIP67	100	325	180	8-18	220	285	17.5	1