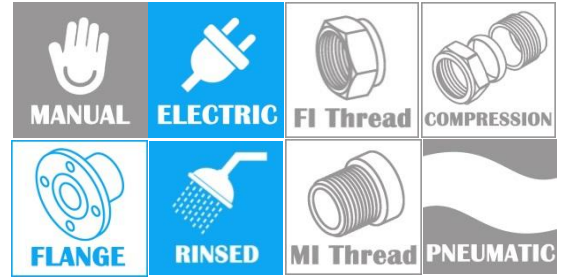
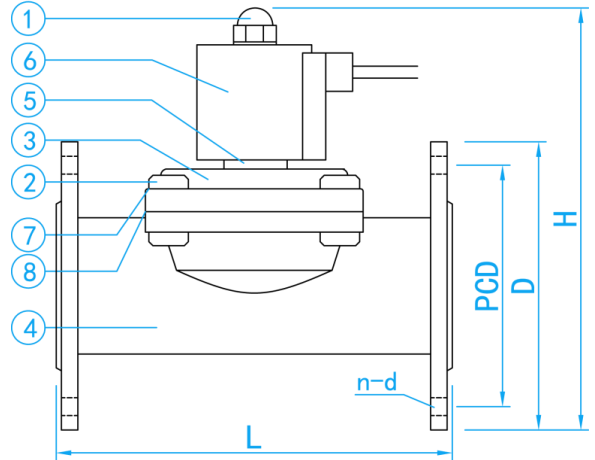
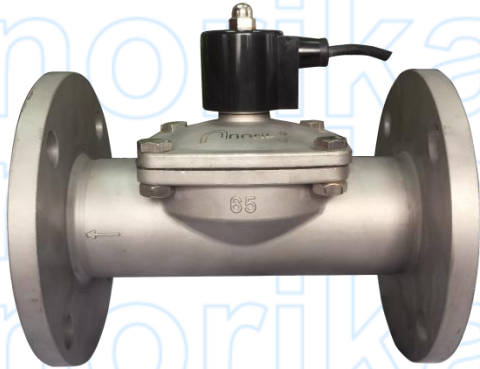


STAINLESS STEEL FLANGE ENDED FLUID SOLENOID VALVE [NORMALLY CLOSED]



COMPLY WITH BS5154:1995
BS4504 PN16
AS/NZS4020:2005



SIDE VIEW

COMPONENT PARTS

| ITEM | PARTS | MATERIAL |
|------|----------------|----------|
| 1 | Nut | Brass |
| 2 | Bolt | AISI304 |
| 3 | Valve Bonnet | AISI304 |
| 4 | Valve Body | AISI304 |
| 5 | Spring Plunger | AISI304 |
| 6 | DIN Box | BMC |
| 7 | O-ring | EPDM |
| 8 | Diaphragm | EPDM |

STANDARD SPECIFICATIONS

| | |
|-------------------------|----------------------------|
| Nominal Pressure | (0.05-0.8)Mpa |
| Optional Voltage Rating | 240V AC, 24V AC, 24V DC |
| Operating Temperature | -5°C ≤ t ≤ 120 °C |
| IP Grade | IP67 |

DIMENSIONS

| SKU | DN (mm) | L (mm) | PCD (mm) | n-d (mm) | D (mm) | H (mm) | WEIGHT (kg) | PCS/CTN |
|-----------|------------|-----------|-------------|-------------|-----------|-----------|----------------|---------|
| SVSSN065F | 65 | 230 | 145 | 4-18 | 185 | 222 | 7.5 | 1 |
| SVSSN080F | 80 | 275 | 160 | 8-18 | 200 | 265 | 13.0 | 1 |
| SVSSN100F | 100 | 325 | 180 | 8-18 | 220 | 285 | 17.5 | 1 |