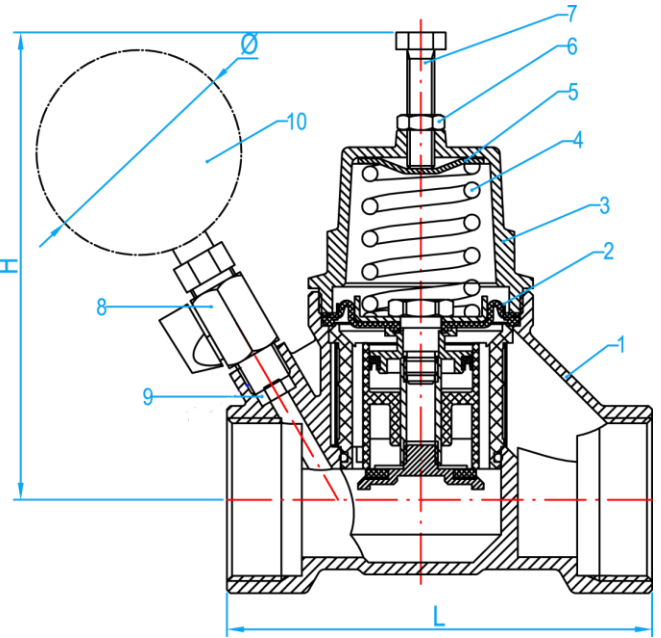


# PRESSURE REDUCING VALVE (DIRECT OPERATED) DIAPHRAGM TYPE

COMPLY WITH BSEN1567-2000



\*Note: Item 10 is excluded

CROSS SECTIONAL VIEW

STANDARD SPECIFICATIONS

Nominal Pressure	1.6MPa
Working Medium	Water
Working Temperature	0°C ≤ t ≤ 80°C
Outlet Pressure Adjustable Range	0.15 ~ 0.45MPa

DIMENSIONS

SKU	SIZE (mm)	L (mm)	H (mm)	G (mm)	Ø (mm)	Weight (kg)	PCS/CTN
PRVCRN015	15	78	91	1/4"	40	0.435	48
PRVCRN020	20	78	91	1/4"	40	0.465	48
PRVCRN025	25	94	119	1/4"	60	0.810	24
PRVCRN035	35	125	137	1/4"	60	1.450	12
PRVCRN040	40	125	137	1/4"	60	1.520	12
PRVCRN050	50	145	157	1/4"	60	2.345	8
PRVCRN065	65	185	225	1/4"	60	4.800	4

COMPONENT PARTS

ITEM	PARTS	MATERIAL
1	Body	DZR Brass
2	Diaphragm Washer	Steel
3	Head	DZR Brass
4	Compression Spring	AISI304
5	Spring Seat	Steel
6	Compression Nut	AISI304
7	Hexagon Headed Bolt	AISI304
8	Miniball Valve	DZR Brass
9	Rubber Gasket	NBR
*10	Pressure Gauge	1/4" brass connection