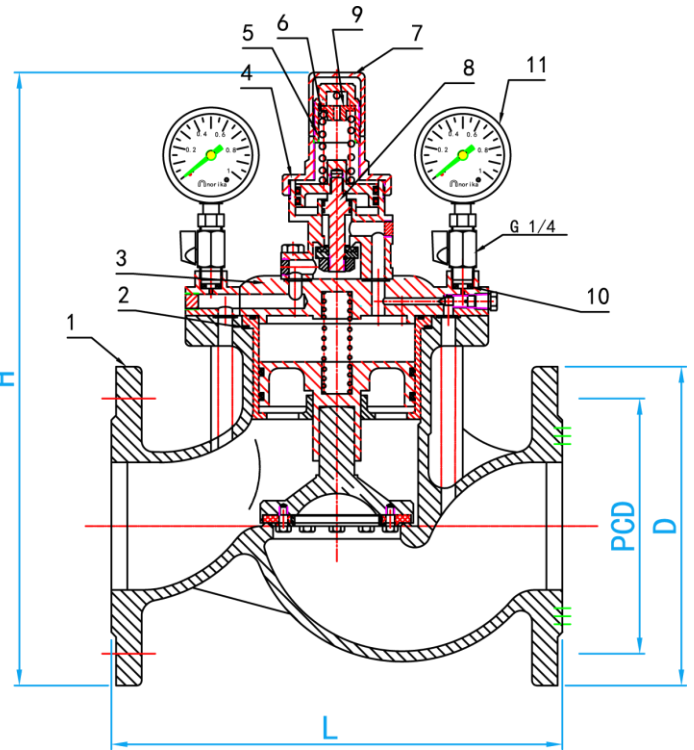
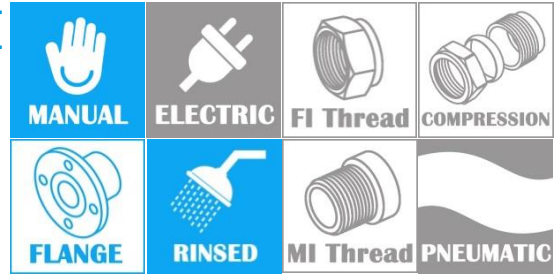


PRESSURE REDUCING VALVE (DIRECT OPERATED) PISTON TYPE

COMPLY WITH BSEN1567-2000



CROSS SECTIONAL VIEW

*11, Pressure gauges are excluded

COMPONENT PARTS

ITEM	PARTS	MATERIAL
1	Body	DZR Brass
2	O Ring	NBR
3	Head	DZR Brass
4	Control Valve	DZR Brass
5	Regulating Rod	DZR Brass
6	Spring	AISI304
7	Lock Cover	DZR Brass
8	Control Stem	DZR Brass
9	Spring Seat	DZR Brass
10	Seal Ring	Teflon
*11	Pressure Gauges	1/4" brass connection

STANDARD SPECIFICATIONS

Inlet Pressure	0.4 to 1.6MPa
Working Medium	Water
Working Temperature	$0^{\circ}\text{C} \leq t \leq 90^{\circ}\text{C}$
Outlet Pressure Adjustable Range	0.1~0.7Mpa

DIMENSIONS

SKU	SIZE (mm)	L (mm)	H (mm)	D (mm)	PCD (mm)	WEIGHT (kg)	PCS/CTN
PRVCRN080F	80	285	384.5	200	160	24.9	1
PRVCRN100F	100	305	415.5	220	180	32.1	1
PRVCRN150F	150	403	494	285	240	74.0	1