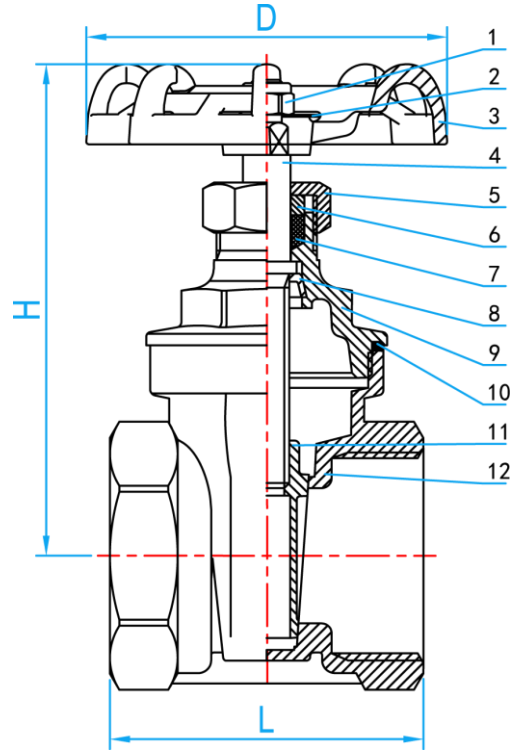


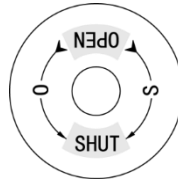
BRASS GATE VALVE BSP THREADED END

COMPLY WITH BS5154:1991
AS/NZS4020:2018
BS EN 12165:2016



STANDARD SPECIFICATIONS

Working Pressure	200 Psi
Applicable Medium	Water



11. Name Plate

CROSS SECTIONAL VIEW

DIMENSIONS

SKU	SIZE (mm)	L (mm)	H (mm)	D (mm)	WEIGHT (kg)	PCS/CTN
GVCRN015	15	42	72	55	0.260	80
GVCRN020	20	46	78	55	0.400	60
GVCRN025	25	52	85	60	0.460	50
GVCRN035	35	51.5	100	70	0.733	30
GVCRN042	42	56.5	115	70	0.928	24
GVCRN050	50	64	140	85	1.436	16
GVCRN065	65	87	163	100	2.578	6
GVCRN080	80	92	188	110	4.300	6
GVCRN100	100	109	232	140	5.100	4

COMPONENT PARTS

ITEMS	PARTS	MATERIAL
1	Wheel Nut	AISI304
2	Name Plate	Aluminum Plate
3	Hand Wheel	HT150
4	Stem	DZR Brass
5	Lock Nut	Brass Rod
6	Gland	Brass
7	Gland Packing	Teflon
8	Straining Ring	Brass
9	Bonnet	DZR Brass
10	Washer	Teflon
11	Disc	DZR Brass
12	Body	DZR Brass