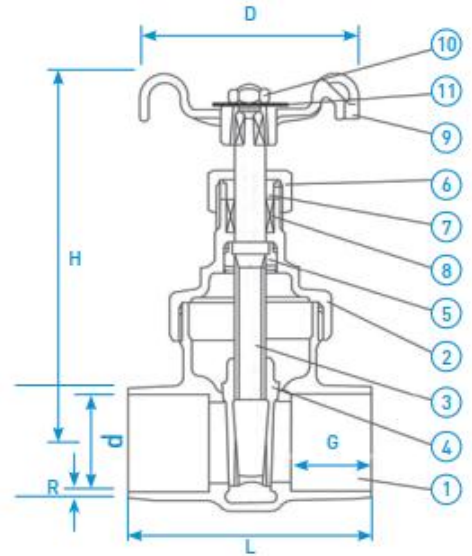
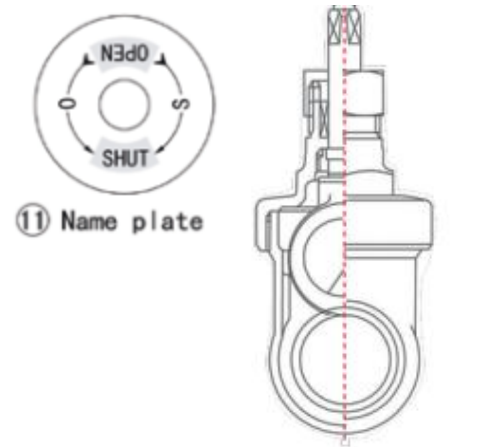


# BRONZE GATE VALVE SOLDERING END

COMPLY WITH BS5154:1991  
BSEN1254-1:1998  
AS/NZS4020:2005  
SS375:2001  
BS12165:1998



FRONT CROSS SECTIONAL VIEW



SIDE CROSS SECTIONAL VIEW

## COMPONENT PARTS

ITEM	PARTS	MATERIAL
1	Body	Bronze
2	Bonnet	Bronze
3	Stem	Brass
4	Disc	Brass
5	Lock Nut	Brass
6	Packing Nut	Brass Rod
7	Gland	Brass
8	Gland Packing	Teflon
9	Hand Wheel	Zinc Alloy
10	Wheel Nut	Brass
11	Name Plate	Aluminium Plate

## STANDARD SPECIFICATIONS

Working Pressure 200 Psi

Applicable Medium Water

## DIMENSIONS

STOCK CODE	SIZE (mm)	L (mm)	H (mm)	D (mm)	d (mm)	G (mm)	R (mm)	WEIGHT (kg)
GVMBLN15	15	41	74	55	15.06	13	1.8	0.22
GVMBLN20	20	55	85	59	22.07	17	1.9	0.35
GVMBLN25	25	66	98	73	28.07	21	2.1	0.53
GVMBLN35	35	74.5	119	84	35.09	23	2.3	0.79
GVMBLN42	42	83.7	136	98.4	42.09	27.6	2.3	1.11
GVMBLN50	50	96	162	108	54.09	33.5	2.3	1.62
GVMBLN65*	65	115	205	100	67.10	37.3	2.5	2.94

\* Availability upon request.