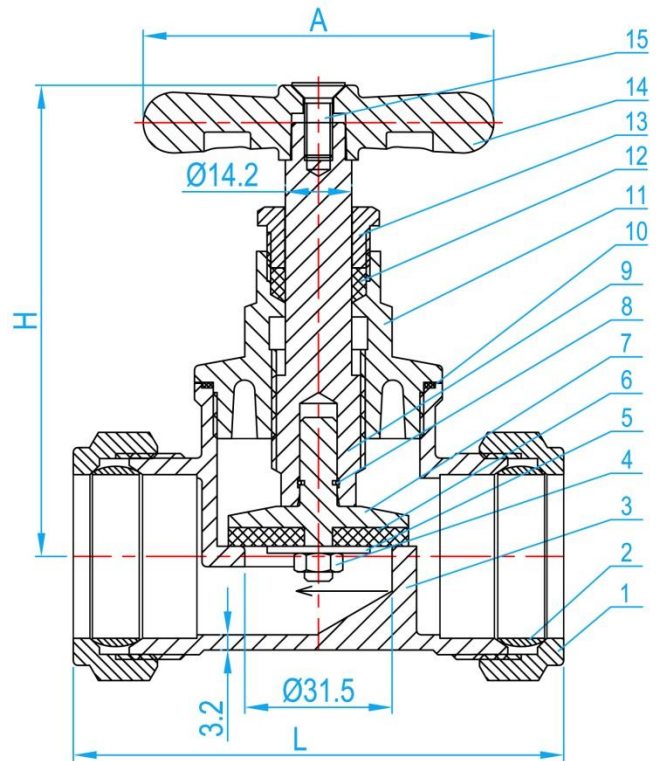


BRASS CR STOP COCK COMPRESSION END

COMPLY WITH SS75-2:1978
AS/NZS4020:2005
SS375:2001
BSEN12165:2011



CROSS SECTIONAL VIEW

STANDARD SPECIFICATIONS

Nominal Pressure	1.6Mpa
Working Medium	Water
Working Temperature	$t \leq 100^{\circ}\text{C}$

DIMENSIONS

STOCK CODE	SIZE (mm)	A (mm)	H (mm)	L (mm)	WEIGHT (kg)
SCCRN35	35	75	101	105	1.116

COMPONENT PARTS

ITEM	PARTS	MATERIAL
1	Compression Nut	Brass
2	Compression Ring	Brass
3	Body	CW602N
4	Nut	AISI304
5	Washer Plate	AISI304
6	Valve Clack	PTFE
7	Valve Seat	CW602N
8	Bead Flange	AISI304
9	Stem	CW602N
10	Gasket	PTFE
11	Bonnet	CW602N
12	Gland Packing	Expanded Graphite
13	Gland Nut	Brass
14	Handle	Brass
15	Head Screw	Brass