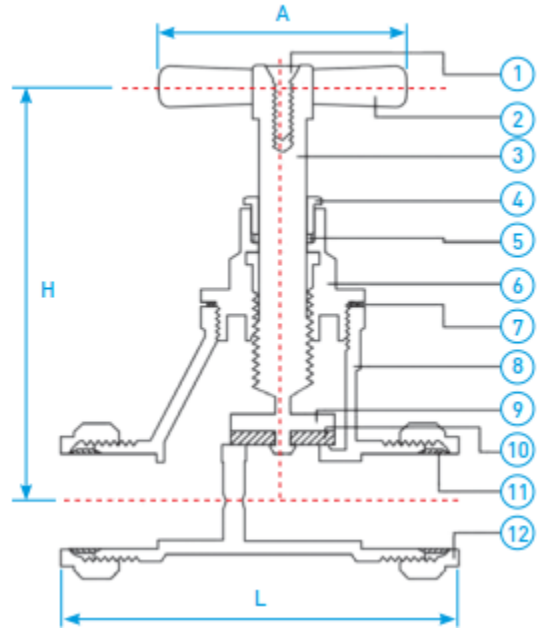


# BRASS CR STOP COCK COMPRESSION END

COMPLY WITH SS75-2:1978  
AS/NZS4020:2005  
SS375:2001  
BSEN12165:2011



CROSS SECTIONAL VIEW

## STANDARD SPECIFICATIONS

Working Pressure	200 Psi
Applicable Medium	Water

## DIMENSIONS

STOCK CODE	SIZE (mm)	A (mm)	H1 (mm)	L (mm)	WEIGHT (kg)
SCCRN15	15	50	80	80	0.300
SCCRN20	20	55	90	100	0.490
SCCRN25	25	65	110	120	1.275

## COMPONENT PARTS

ITEM	PARTS	MATERIAL
1	Screw	Brass
2	Handle	Brass
3	Spindle	Brass
4	Gland Nut	Brass
5	Gland Packing	Teflon
6	Head	Brass
7	Gasket	Non-Asbestos
8	Body	Brass
9	Washer Plate	Brass
10	Washer	EPDM
11	Compression Ring	Copper
12	Compression Nut	Brass