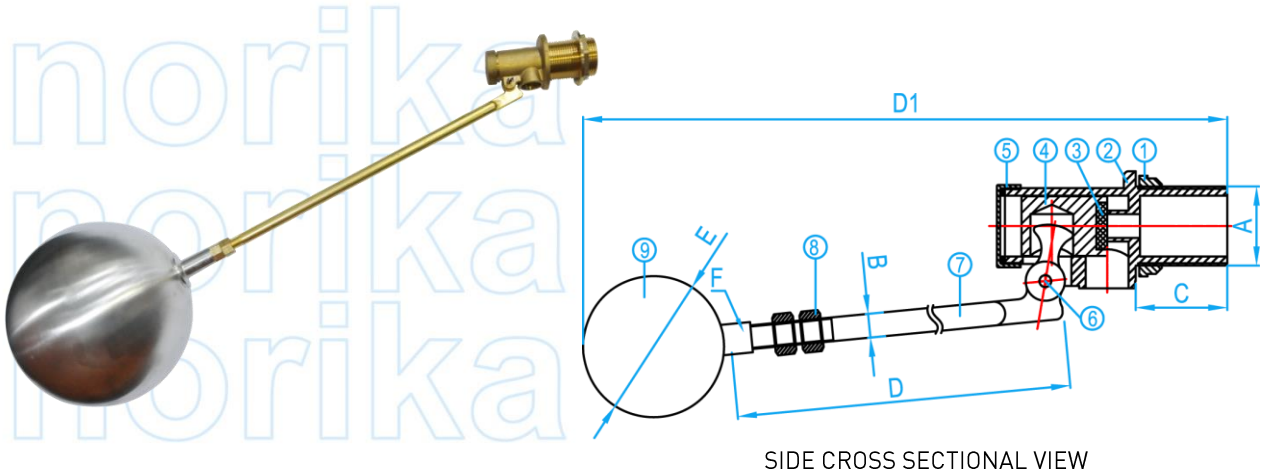


DZR BRASS BALL FLOAT VALVE

COMPLY WITH BS1212 : PART1 : 1990



STANDARD SPECIFICATIONS

Working Pressure	200Psi
Operating Temperature	20° ~ 65°C
Applicable Medium	Water

COMPONENT PARTS

ITEM	PARTS	MATERIAL
1	Lock nut	Brass
2	Body	DZR Brass
3	Disc	NBR
4	Piston	Brass
5	Cap	Brass
6	Pins	AISI304
7	Float Rod	Brass
8	Nut	Brass
9	Ball	AISI304 Optional PE (For 15mm, 20mm, 25mm)

DIMENSIONS

STOCK CODE	A (mm)	B (mm)	C (mm)	D (mm)	E (mm)	F (inch)	VALVE CLOSING DISTANCE at D1 (mm)	WEIGHT (kg)
BFVN15	15	8	35	280	115	5/16"	40	0.52
BFVN20	20	8	35	335	115	5/16"	110	0.53
BFVN25	25	8	35	378	165	M10	50	1.15
BFVN35	35	9.8	50	400	200	1/2"	155	2.10
BFVN42	40	12.4	45	540	200	1/2"	170	2.30

* Valve Closing Distance Complies to PUB minimum requirement