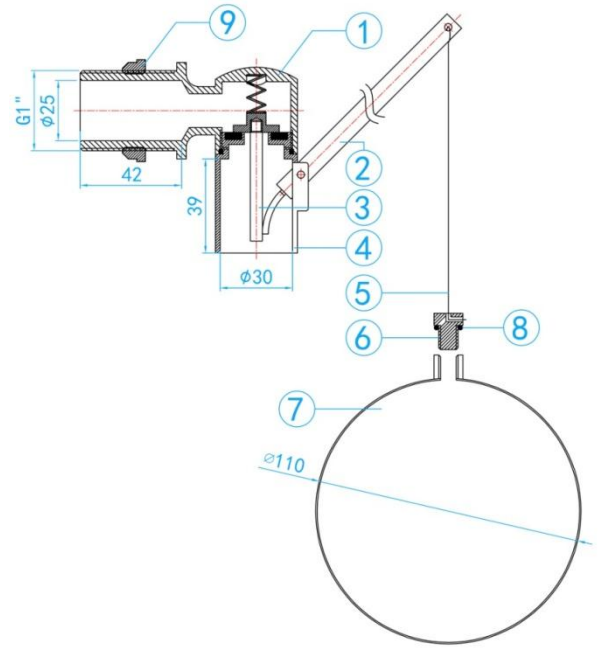


ANGLE BALL FLOAT VALVE

COMPLY WITH BS1212 : PART1 : 1990



SECTION VIEW

COMPONENT PARTS

ITEM	PARTS	MATERIAL
1	Body	Brass
2	Float Rod	AISI304
3	Piston	AISI304
4	Body	Brass
5	Line	Nylon
6	Nut	AISI304
7	Ball	AISI304
8	Seal	NBR
9	Lock Nut	Brass

STANDARD SPECIFICATIONS

Pneumatic Pressure Test	14kg
Working Temperature	$0^{\circ}\text{C} \leq t \leq 65^{\circ}\text{C}$

DIMENSIONS

STOCK CODE	DN (mm)	SIZE	Length of Line	Weight (kg)
BFVFN25	25	1"	1.5m	0.590