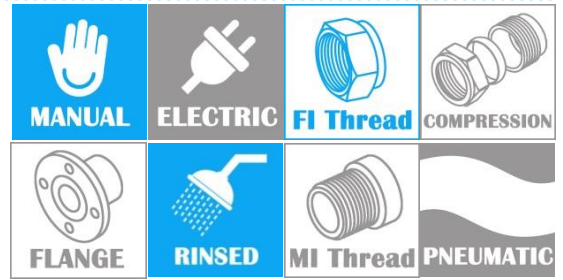


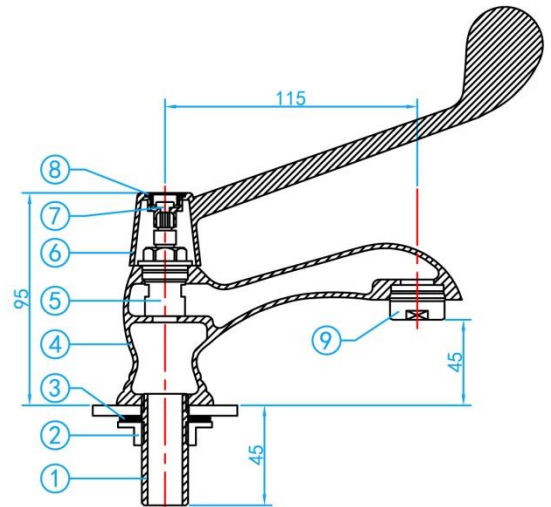
# CHROME PLATED LONG LEVER QUICK ACTION HANDLE BASIN PILLAR TAP (For ambulant/handicapped toilet)



COMPLY WITH BSEN200:2008  
 BSEN248:2002  
 AS/NZS4020:2005  
 SS375: PART 1



LONG LEVER HANDLE



SECTION VIEW

### COMPONENT PARTS

ITEM	PARTS	MATERIAL
1.	Inlet Pipe	Brass
2.	Nut	Brass
3.	Washes	NBR
4.	Body	Brass
5.	Piston	Brass, NBR, Ceramic
6.	Decorative Cover	ABS
7.	Cross Head Screw	AISI304
8.	Handle	Kirsite
9.	Stifle	ABS
10.	Bubbler	Brass, ABS, NBR

### STANDARD SPECIFICATIONS

SKU	APPLICABLE WATER PRESSURE	WATER TEMPERATURE	ENVIRONMENTAL TEMPERATURE	H (mm)	WATER SUPPLYING CALIBER	WEIGHT (kg)	PCS/CTN
NML8XL	1.0Mpa	t ≤ 90°C	Room Temperature	95	1/2" BSP	0.520	30