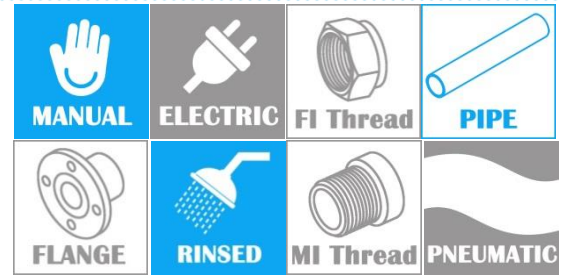
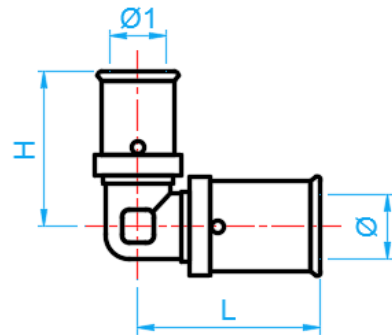


# PEX PRESS-FIT FITTINGS

COMPLY WITH BS EN ISO 21003-1:2008  
 BS EN ISO 21003-3:2008  
 BS EN ISO 21003-5:2008  
 BS EN 12165:2016  
 AS/NZS 4020:2005  
 SS 375:2015



## F5 90° REDUCING ELBOW



SIDE VIEW

### DIMENSIONS

SKU	SIZE (mm)	Ø (mm)	Ø1 (mm)	L (mm)	H (mm)	WEIGHT (kg)	PCS/CTN
PEXF5RE902016	20X16	15.8	11.8	38.5	40.5	0.060	200
PEXF5RE902516	25X16	19.8	11.8	45.5	42.5	0.092	128
PEXF5RE902520	25X20	19.8	15.8	47.5	42.5	0.104	112
PEXF5RE903216	32X16	25.8	11.8	45.5	46.0	-	-
PEXF5RE903220	32X20	25.8	15.8	47.5	46.0	-	-
PEXF5RE903225	32X25	25.8	19.8	49.5	52.5	0.160	80
PEXF5RE904025	40X25	31.8	19.8	60.0	55.0	-	-
PEXF5RE904032	40X32	31.8	25.8	64.0	55.1	-	-
PEXF5RE905025	50X25	40.8	19.8	60.0	60.0	-	-
PEXF5RE905032	50X32	40.8	25.8	64.0	60.0	-	-
PEXF5RE905040	50X40	40.8	31.8	67.5	72.5	0.488	24
PEXF5RE906332	63X32	50.7	25.8	87.0	67.0	-	-
PEXF5RE906340	63X40	50.7	31.8	90.0	79.5	-	-
PEXF5RE906350	63X50	50.7	40.8	95.5	79.5	0.938	8