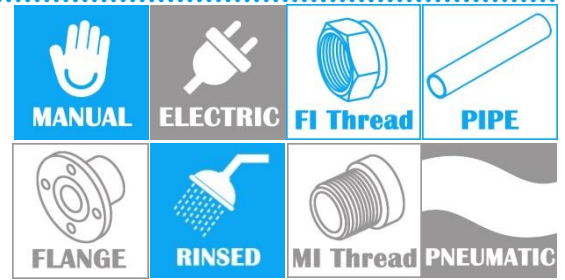
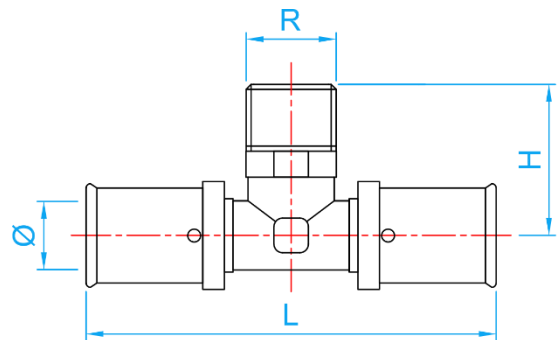


PEX PRESS-FIT FITTINGS

COMPLY WITH BS EN ISO 21003-1:2008
 BS EN ISO 21003-3:2008
 BS EN ISO 21003-5:2008
 BS EN 12165:2016
 AS/NZS 4020:2005
 SS 375:2015



F5 MI TEE



SIDE VIEW

DIMENSIONS

SKU	SIZE (mm x mm x inch)	Ø (mm)	R BSPT (inch)	L (mm)	H (mm)	WEIGHT (kg)	PCS/CTN
PEXF5MIT16	16×16×1/2"	11.8	1/2"	77	32.5	0.085	144
PEXF5MIT161620	16×16×3/4"	11.8	3/4"	82	34.5	-	-
PEXF5MIT202016	20×20×1/2"	15.8	1/2"	77	34.5	0.117	120
PEXF5MIT20	20×20×3/4"	15.8	3/4"	82	36.5	-	-
PEXF5MIT252516	25×25×1/2"	19.8	1/2"	90	38.0	-	-
PEXF5MIT252520	25×25×3/4"	19.8	3/4"	96	39.0	-	-
PEXF5MIT323220	32×32×3/4"	25.8	3/4"	96	43.0	-	-
PEXF5MIT323225	32×32×1"	25.8	1"	104	45.0	-	-
PEXF5MIT505040	50×50×1 1/2"	40.8	1 1/2"	150	50.0	-	-