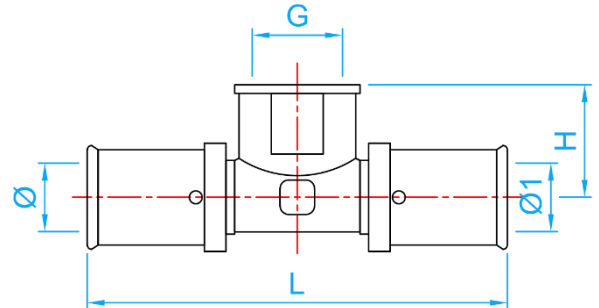


# PEX PRESS-FIT FITTINGS

COMPLY WITH BS EN ISO 21003-1:2008  
 BS EN ISO 21003-3:2008  
 BS EN ISO 21003-5:2008  
 BS EN 12165:2016  
 AS/NZS 4020:2005  
 SS 375:2015



## F5 FI TEE



SIDE VIEW

### DIMENSIONS

SKU	SIZE (mm x mm x inch)	Ø (mm)	Ø1 (mm)	R BSPT (inch)	L (mm)	H (mm)	WEIGHT (kg)	PCS/CTN
PEXF5FIT16	16×16×1/2"	11.8	11.8	1/2"	82	23	0.089	120
PEXF5FIT161620	16×16×3/4"	11.8	11.8	3/4"	88	24	-	-
PEXF5FIT202016	20×20×1/2"	15.8	15.8	1/2"	82	25	0.123	96
PEXF5FIT20	20×20×3/4"	15.8	15.8	3/4"	88	26	0.128	96
PEXF5FIT252516	25×25×1/2"	19.8	19.8	1/2"	96	26	0.161	64
PEXF5FIT252520	25×25×3/4"	19.8	19.8	3/4"	102	27	0.205	56
PEXF5FIT323216	32×32×1/2"	25.8	25.8	1/2"	102	30	0.200	48
PEXF5FIT323220	32×32×3/4"	25.8	25.8	3/4"	102	30	0.244	32
PEXF5FIT323225	32×32×1"	25.8	25.8	1"	110	31	0.313	24
PEXF5FIT403220	40×32×3/4"	31.8	25.8	3/4"	113.5	31	-	-
PEXF5FIT404020	40×40×3/4"	31.8	31.8	3/4"	126	31	0.424	25
PEXF5FIT404025	40×40×1"	31.8	31.8	1"	131	40	-	-
PEXF5FIT404032	40×40×1 1/4"	31.8	31.8	1 1/4"	144	38	-	-
PEXF5FIT40	40×40×1 1/2"	31.8	31.8	1 1/2"	150	38	-	-
PEXF5FIT504020	50×40×3/4"	40.8	31.8	3/4"	128	36	-	-
PEXF5FIT505020	50×50×3/4"	40.8	40.8	3/4"	128	36	-	-
PEXF5FIT505025	50×50×1"	40.8	40.8	1"	132	40	0.551	22
PEXF5FIT505032	50×50×1 1/4"	40.8	40.8	1 1/4"	150	-	0.700	18
PEXF5FIT505040	50×50×1 1/2"	40.8	40.8	1 1/2"	150	42	0.710	20
PEXF5FIT50	50×50×2"	40.8	40.8	2"	163	44	-	-
PEXF5FIT635020	63×50×3/4"	50.7	40.8	3/4"	150	43	-	-
PEXF5FIT636320	63×63×3/4"	50.7	50.7	3/4"	174	43	-	-
PEXF5FIT636325	63×63×1"	50.7	50.7	1"	180	45	1.092	12
PEXF5FIT636340	63×63×1 1/2"	50.7	50.7	1 1/2"	196	48	-	-
PEXF5FIT636350	63×63×2"	50.7	50.7	2"	-	-	1.250	8
PEXF5FIT63	63×63×2 1/2"	50.7	50.7	2 1/2"	-	-	1.750	4
PEXF5FIT757540	75×75×1 1/2"	59.6	59.6	1 1/2"	209	-	1.647	8
PEXF5FIT757550	75×75×2"	59.6	59.6	2"	209	56	1.875	8
PEXF5FIT757563	75×75×2 1/2"	59.6	59.6	2 1/2"	-	-	2.251	4