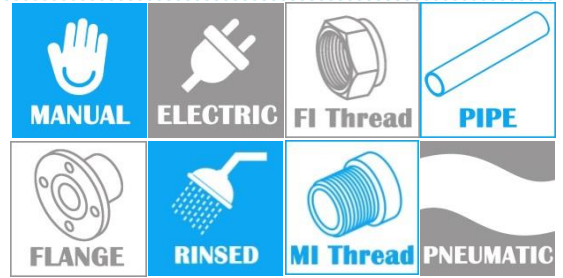
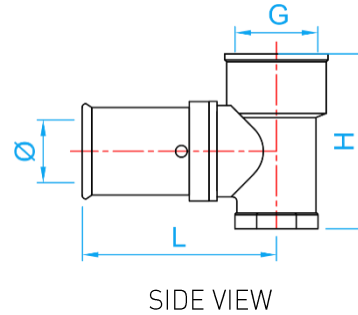


# PEX PRESS-FIT FITTINGS

COMPLY WITH BS EN ISO 21003-1:2008  
 BS EN ISO 21003-3:2008  
 BS EN ISO 21003-5:2008  
 BS EN 12165:2016  
 AS/NZS 4020:2005  
 SS 375:2015



## F5 FI WALLPLATE ELBOW



### DIMENSIONS

SKU	SIZE (mm x inch)	Ø (mm)	L (mm)	G BSP (inch)	H (mm)	WEIGHT (kg)	PCS/CTN
PEXF5FE16	16×1/2"	11.8	41.5	1/2"	38.5	0.096	112
PEXF5FE1620	16×3/4"	11.8	44.0	3/4"	43.0	-	-
PEXF5FE2016	20×1/2"	15.8	41.5	1/2"	43.0	0.108	96
PEXF5FE20	20×3/4"	15.8	44.0	3/4"	44.0	0.135	96
PEXF5FE2520	25×3/4"	19.8	50.5	3/4"	48.0	0.177	64