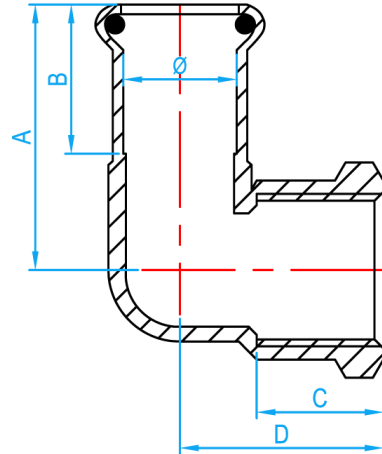


COPPER PRESS FIT FITTINGS

COMPLY WITH BSEN1254-2:1998

FI ELBOW



CROSS SECTIONAL VIEW

DIMENSIONS

SKU	SIZE (inch)	Ø (mm)	A (mm)	B (mm)	C (mm)	D (mm)	WEIGHT (Kg)	PCS/CTN
PFNFIE015	½" BSP	15.2	35.6	20.0	17.0	27.3	0.072	200