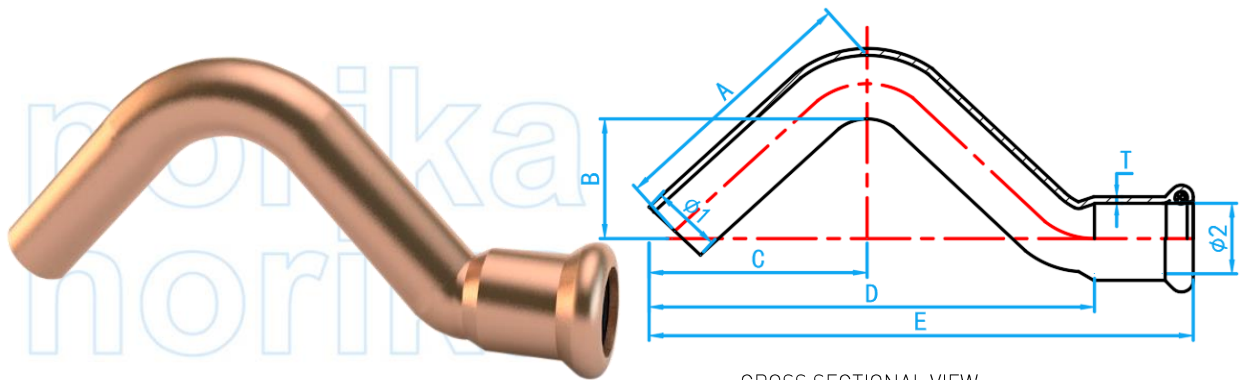


COPPER PRESS FIT FITTINGS (M PROFILE)

COMPLY WITH BSEN1254-2: 1998
 AS 3688: 2006
 ISO 6957: 1988
 BS EN 1057:2006
 AS/NZS 4020: 2005
 SS 270: 2015
 SS 375: 2015
 BS EN 12165: 2016



CROSS OVER



CROSS SECTIONAL VIEW

DIMENSIONS

SKU	Ø1 (mm)	Ø2 (mm)	A (mm)	B (mm)	C (mm)	D (mm)	E (mm)	T (mm)	WEIGHT (Kg)	PCS/CTN
PFNC0015	15	15	56.2	25.8	43.5	92.8	114.2	1.5	0.072	90