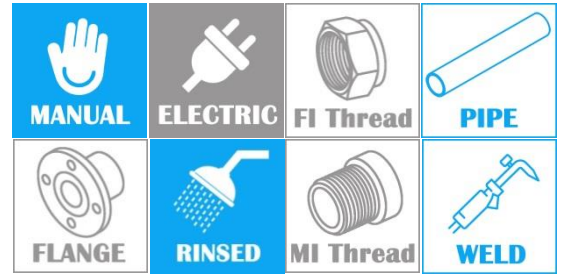
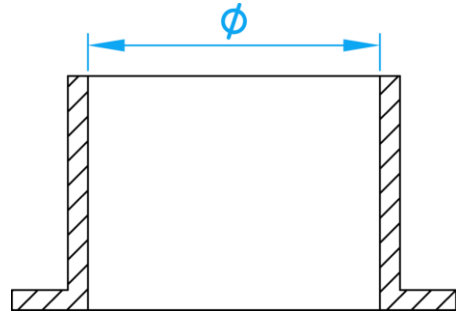


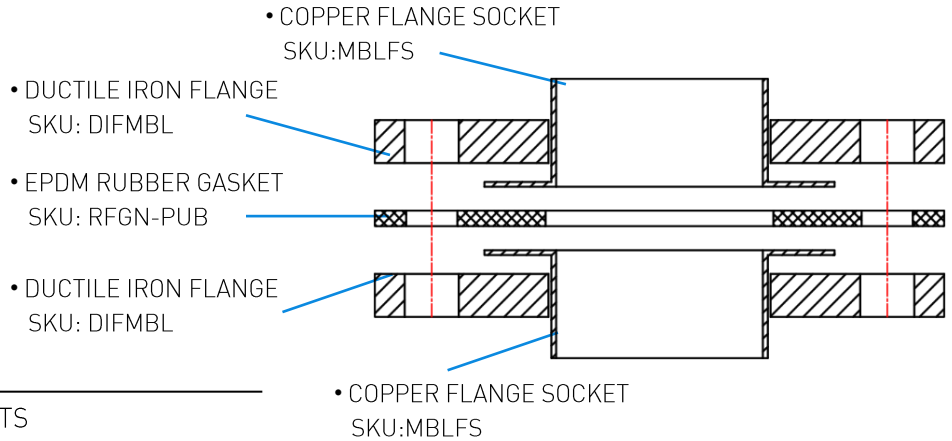
# COPPER CAPILLARY FITTINGS FLANGE SOCKET (COMPOSITE FEMALE FLANGE PN16)



COMPLY WITH BSEN1254-1:1998



CROSS SECTIONAL VIEW



INSTALLATION ASSEMBLY

## COMPONENT PARTS

PARTS	MATERIAL
FLANGE SOCKET	COPPER

## DIMENSIONS

SKU	SIZE (mm)	WEIGHT (Kg)	PCS/CTN
MBLFS020	22	0.040	100
MBLFS025	28	0.045	100
MBLFS035	35	0.045	170
MBLFS042	42	0.056	170
MBLFS050	54	0.082	75
MBLFS065	67	0.148	40
MBLFS080	76	0.172	30
MBLFS100	108	0.228	12
MBLFS150	159	0.550	4