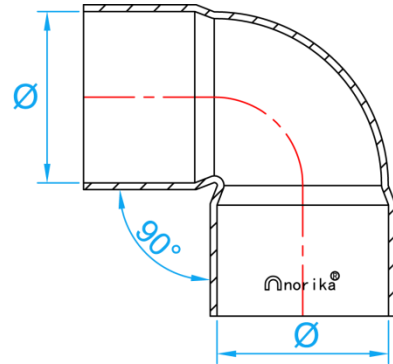
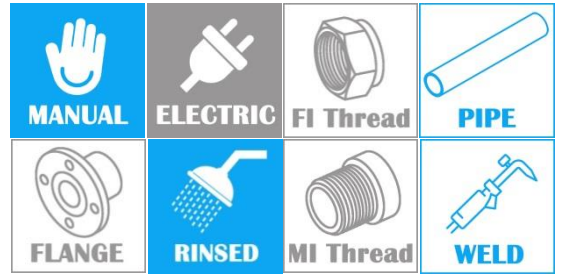


CAPILLARY FITTING

90° ELBOW

COMPLY WITH BSEN1254-1:1998



CROSS SECTIONAL VIEW

COMPONENTS PARTS

PARTS	MATERIAL
REDUCER	COPPER

DIMENSIONS

SKU	SIZE (mm)	WEIGHT (Kg)	PCS/CTN
MBLE90015	15	0.014	1250
MBLE90020	22	0.029	450
MBLRE9002015	22 X15	0.021	500
MBLE90025	28	0.046	250
MBLRE9002515	28 X15	0.032	200
MBLRE9002520	28 X22	0.040	200
MBLE90035	35	0.085	100
MBLE90042	42	0.136	70
MBLE90050	54	0.210	40
MBLE90065	67	0.346	22
MBLE90080	76	0.460	16
MBLE90100	108	1.250	5
MBLE90150	159	3.270	2