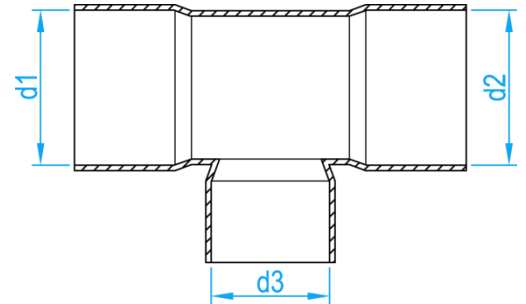
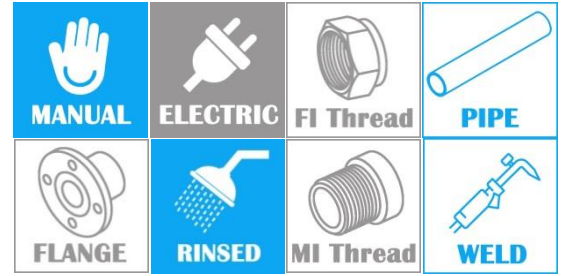
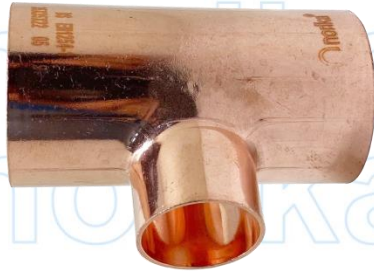


# COPPER CAPILLARY FITTINGS REDUCING TEE

COMPLY WITH BSEN1254-1:1998

**COMPONENTS PARTS**

PARTS	MATERIAL
REDUCER TEE	COPPER



CROSS SECTIONAL VIEW

**DIMENSIONS**

SKU	d1 (mm)	d2 (mm)	d3 (mm)	WEIGHT (Kg)	PCS/CTN
MBLRT0151520	15	15	22	0.039	350
MBLRT0201515	22	15	15	0.041	300
MBLRT0202015	22	22	15	0.039	350
MBLRT0202025	22	22	28	0.041	150
MBLRT0201520	22	15	22	0.052	250
MBLRT0252015	28	22	15	0.063	150
MBLRT0252020	28	22	22	0.077	160
MBLRT0252025	28	20	28	0.083	130
MBLRT0252515	28	28	15	0.052	200
MBLRT0252520	28	28	22	0.065	150
MBLRT0352515	35	28	15	0.135	130
MBLRT0352525	35	28	28	0.128	130
MBLRT0352535	35	28	35	0.134	130
MBLRT0353515	35	35	15	0.098	130
MBLRT0353520	35	35	22	0.092	110
MBLRT0353525	35	35	28	0.117	80
MBLRT0424215	42	42	15	0.134	60
MBLRT0424220	42	42	22	0.134	60
MBLRT0424225	42	42	28	0.152	50
MBLRT0424235	42	42	35	0.173	50
MBLRT0505015	54	54	15	0.231	50
MBLRT0505020	54	54	22	0.242	48
MBLRT0505025	54	54	28	0.248	36

**DIMENSIONS**

SKU	d1 (mm)	d2 (mm)	d3 (mm)	WEIGHT (Kg)	PCS/CTN
MBLRT0505035	54	54	35	0.287	32
MBLRT0505042	54	54	42	0.316	32
MBLRT0656515	67	67	15	0.330	32
MBLRT0656520	67	67	22	0.380	30
MBLRT0656525	67	67	28	0.404	25
MBLRT0656535	67	67	35	0.452	25
MBLRT0656542	67	67	42	0.496	20
MBLRT0656550	67	67	54	0.536	15
MBLRT0808015	76	76	15	0.457	24
MBLRT0808020	76	76	22	0.558	20
MBLRT0808025	76	76	28	0.538	20
MBLRT0808035	76	76	35	0.515	20
MBLRT0808042	76	76	42	0.556	15
MBLRT0808050	76	76	54	0.630	15
MBLRT0808065	76	76	67	0.724	12
MBLRT10010025	108	108	28	1.120	8
MBLRT10010035	108	108	35	1.205	6
MBLRT10010042	108	108	42	1.430	6
MBLRT10010050	108	108	54	1.600	5
MBLRT10010065	108	108	67	1.565	5
MBLRT10010080	108	108	76	2.148	5
MBLRT15015050	108	108	54	2.500	2
MBLRT150150100	159	159	108	4.000	2