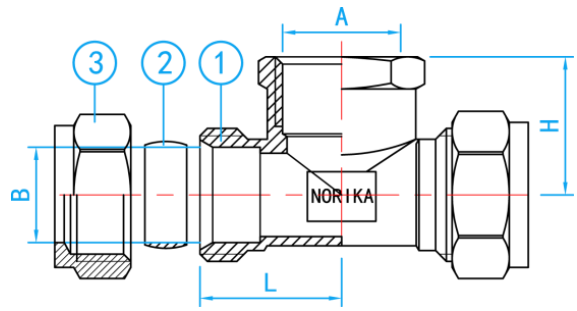


# COMPRESSION [CXCXFI] TEE

COMPLY WITH BSEN1254-2:1998



SECTION VIEW

## COMPONENT PARTS

ITEM	PARTS	MATERIAL
1	Body	CR Brass
2	Ring	Brass
3	Nut	Brass

## DIMENSIONS

SKU	A (mm)	B (mm)	H (mm)	L (mm)	WEIGHT (kg)	PCS/CTN
CRCFIT015	G 1/2"	15	24	24	0.095	200