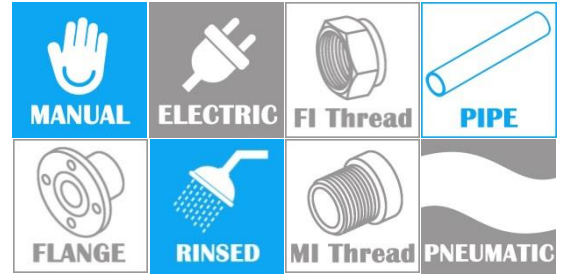
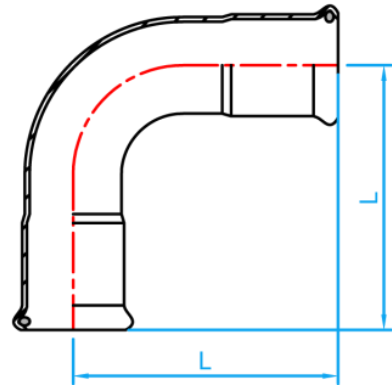


STAINLESS STEEL PRESS FIT FITTINGS

COMPLY WITH BSEN1254-2:1998



90° ELBOW



CROSS SECTIONAL VIEW

DIMENSIONS

SKU	SIZE (mm)	L (mm)	WEIGHT (kg)	PCS/CTN
SSPFNE90015	15	41	0.045	300
SSPFNE90020	22	50	0.077	150
SSPFNE90025	28	60	0.124	150
SSPFNE90035	35	72	0.178	100
SSPFNE90042	42	85	0.239	60
SSPFNE90050	54	105	0.375	30
SSPFNE90065	67	140	0.787	13
SSPFNE90080	76	160	0.990	12
SSPFNE90100	108	221	2.110	3