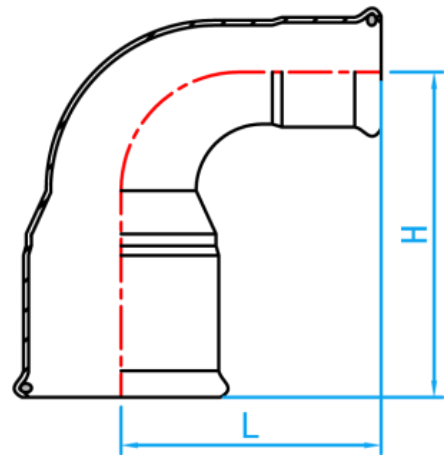
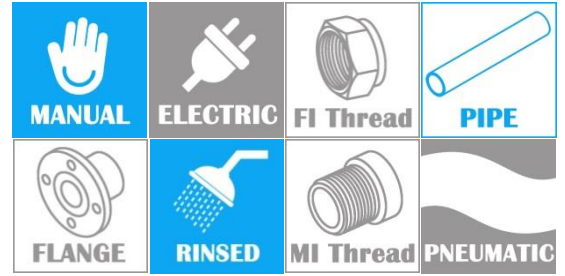


STAINLESS STEEL 304 PRESS FIT FITTINGS

COMPLY WITH BSEN1254-2:1998

REDUCER 90° ELBOW



CROSS SECTIONAL VIEW

DIMENSIONS

SKU	SIZE (mm)	H (mm)	L (mm)	WEIGHT (kg)	PCS/CTN
SSPFNRE9002015	22 x 15	60	41	0.072	160
SSPFNRE9002515	28 x 15	68	41	0.126	110
SSPFNRE9005020	54 x 22	98	120	0.454	20
SSPFNRE9005025	54 x 28	100	120	0.460	56
SSPFNRE9005035	54 x 35	98	115	0.464	20
SSPFNRE9005042	54 x 42	98	115	0.494	20