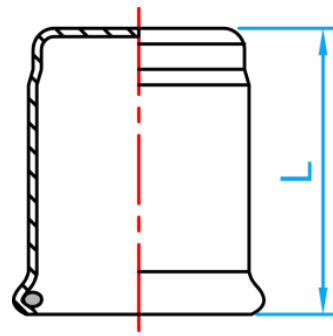


STAINLESS STEEL PRESS FIT FITTINGS

COMPLY WITH BSEN1254-2:1998



END CAP



CROSS SECTIONAL VIEW

DIMENSIONS

SKU	SIZE (mm)	L (mm)	WEIGHT (kg)	PCS/CTN
SSPFNEC015	15	31	0.024	450
SSPFNEC020	22	42	0.041	220
SSPFNEC025	28	44	0.059	200
SSPFNEC035	35	48	0.077	180
SSPFNEC042	42	51	0.106	120
SSPFNEC050	54	60	0.153	84
SSPFNEC065	67	85	0.280	60
SSPFNEC080	76	107	0.410	36
SSPFNEC100	108	145	0.715	12