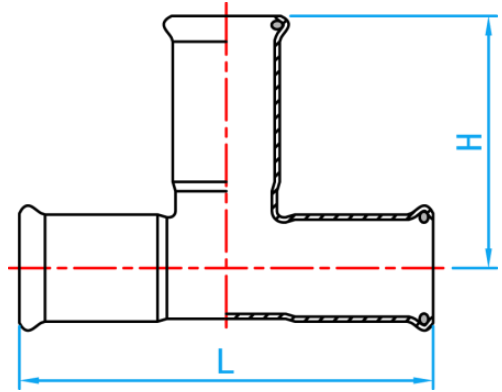


STAINLESS STEEL PRESS FIT FITTINGS

COMPLY WITH BSEN1254-2:1998

EQUAL TEE



CROSS SECTIONAL VIEW

DIMENSIONS

SKU	SIZE (mm)	L (mm)	H (mm)	WEIGHT (kg)	PCS/CTN
SSPFNET015	15	70	53	0.110	240
SSPFNET020	22	79	55	0.134	120
SSPFNET025	28	88	59	0.132	70
SSPFNET035	35	101	65	0.206	70
SSPFNET042	42	119	76	0.271	52
SSPFNET050	54	143	86	0.415	28
SSPFNET065	67	203	99	0.876	12
SSPFNET080	76	230	114	1.200	9
SSPFNET100	108	306	150	2.300	2