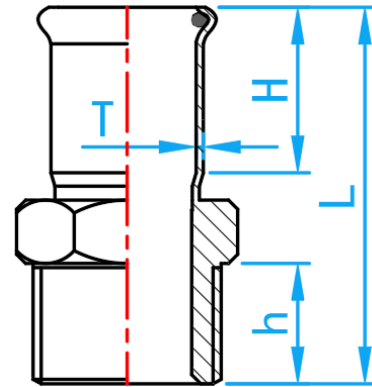


STAINLESS STEEL 304 PRESS FIT FITTINGS (M PROFILE)

COMPLY WITH BSEN1254-2: 1998
AS 3688: 2005
AS/NZS 4020: 2005
SS 375: 2015
SS 270: 2015



MI SOCKET



CROSS SECTIONAL VIEW

DIMENSIONS

SKU	SIZE (mm x inch)	L (mm)	H (mm)	h (mm)	T (mm)	WEIGHT (kg)	PCS/CTN
SSPFNMIA01515	15×1/2" BSPT	51	20	15	1.5	0.044	420
SSPFNMIA02015	22×1/2" BSPT	50	20	15	1.5	0.064	170
SSPFNMIA02020	22×3/4" BSPT	55	21	16	1.5	0.105	200
SSPFNMIA02025	22×1" BSPT	70	24	16	1.5	0.105	130
SSPFNMIA02525	28×1" BSPT	60	33	19	1.5	0.096	130
SSPFNMIA03515	35×1/2" BSPT	71	26	15	1.5	0.095	80
SSPFNMIA03525	35×1" BSPT	85	26	21	1.5	0.150	80
SSPFNMIA03535	35×11/4" BSPT	70	26	21	1.5	0.182	80
SSPFNMIA03542	35×11/2" BSPT	82	28	22	1.5	0.185	66
SSPFNMIA03550	35×2" BSPT	92	26	26	1.5	0.300	38
SSPFNMIA04225	42×1" BSPT	82	24	22	1.5	0.155	66
SSPFNMIA04242	42×11/2" BSPT	75	31	21	1.5	0.275	66
SSPFNMIA05050	54×2" BSPT	88	36	26	1.5	0.320	38
SSPFNMIA06565	67×21/2" BSPT	110	50	30	1.5	0.735	15
SSPFNMIA08065	76×21/2" BSPT	115	55	30	1.5	0.626	24
SSPFNMIA08080	76×3" BSPT	120	55	32	1.5	0.869	24
SSPFNMIA100100	108×4" BSPT	148	80	35	1.5	1.243	10