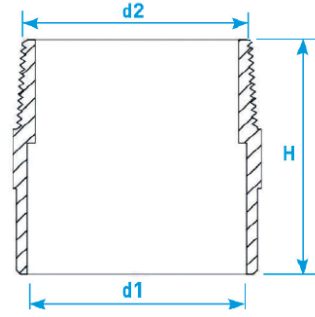


COPPER CAPILLARY FITTING

COMPLY WITH BSEN1254-1:1998
AS/NZS4020:2005
BSEN1982:2008

MBL x MI ADAPTOR



CROSS SECTIONAL VIEW

COMPONENT PARTS

PARTS	MATERIAL
FI/MI Adaptor	Bronze

DIMENSIONS

SKU	d2 (inch)	d1 (mm)	H (mm)	WEIGHT (kg)	PCS/CTN
MBLMIA015	1/2"BSPT	15	31	0.045	500
MBLMIA020	3/4"BSPT	22	34	0.070	300
MBLMIA025	1"BSPT	28	36	0.080	250
MBLMIA035	1 1/4"BSPT	35	43	0.135	120
MBLMIA042	1 1/2"BSPT	42	50	0.230	100
MBLMIA050	2"BSPT	54	69	0.305	40
MBLMIA065	2 1/2"BSPT	67	75	0.665	30
MBLMIA080	3"BSPT	76	75	0.855	18
MBLMIA100	4"BSPT	108	100	1.630	10