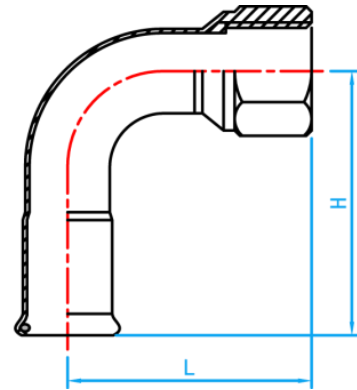


# STAINLESS STEEL 304 PRESS FIT FITTINGS

COMPLY WITH BSEN1254-2:1998



## FI 90° ELBOW



CROSS SECTIONAL VIEW

### DIMENSIONS

SKU	SIZE (mm × inch)	L (mm)	H (mm)	WEIGHT (kg)	PCS/CTN
SSPFNFIE015	15 × 1/2" BSP	55	43	0.067	160
SSPFNFIE020	22 × 3/4" BSP	58	50	0.079	160
SSPFNFIE02015	22 × 1/2" BSP	48	49	0.086	-
SSPFNFIE025	28 × 1" BSP	70	60	0.146	60
SSPFNFIE02515	28 × 1/2" BSP	72	60	0.126	-
SSPFNFIE03515	35 × 1/2" BSP	86	71	0.180	60
SSPFNFIE03525	35 × 1" BSP	68	52	0.200	60
SSPFNFIE035	35 × 11/4" BSP	81	72	0.220	48
SSPFNFIE04215	42 × 1/2" BSP	86	85	0.210	33
SSPFNFIE042	42 × 11/2"	110	112	0.470	50
SSPFNFIE05015	54 × 1/2" BSP	110	105	0.350	21
SSPFNFIE050	54 × 2" BSP	115	108	0.540	25
SSPFNFIE065	67 × 21/2" BSP	133	143	1.007	13