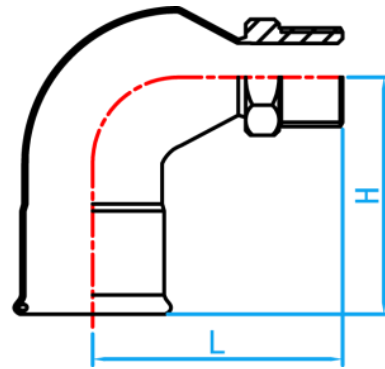
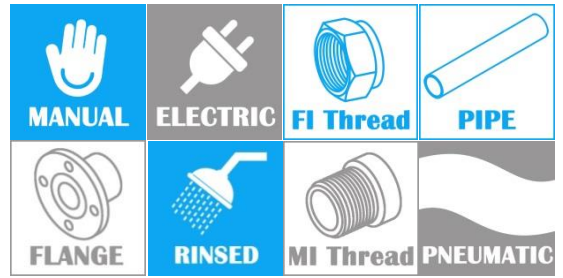


STAINLESS STEEL 304 PRESS FIT FITTINGS

COMPLY WITH BSEN1254-2:1998

MI 90° ELBOW



CROSS SECTIONAL VIEW

DIMENSIONS

SKU	SIZE (mm X inch)	H (mm)	L (mm)	h (mm)	L1 (mm)	WEIGHT (kg)	PCS/CTN
SSPFNMIE015	15×1/2"BSPT	48	53	20	15	0.060	300
SSPFNMIE02015	22×1/2"BSPT	58	60	21	15	0.102	120
SSPFNMIE020	22×3/4"BSPT	58	61	21	16	0.131	90
SSPFNMIE02515	28×1/2"BSPT	62	71	23	19	0.130	100
SSPFNMIE025	28×1"BSPT	62	78	23	19	0.198	70
SSPFNMIE03515	35×1/2"BSPT	72.5	78	26	15	0.162	50
SSPFNMIE035	35×11/4"BSPT	80	77	26	21	0.242	55
SSPFNMIE04225	42×1"BSPT	82	101	26	19	0.270	50
SSPFNMIE042	42×11/2"BSPT	110	111	31	21	0.390	33
SSPFNMIE05025	54×1"BSPT	107.5	114	36	19	0.376	50
SSPFNMIE050	54×2"BSPT	122	129	36	26	0.640	21
SSPFNMIE065	67×21/2"BSPT	113.5	131.5	50	26	0.926	10