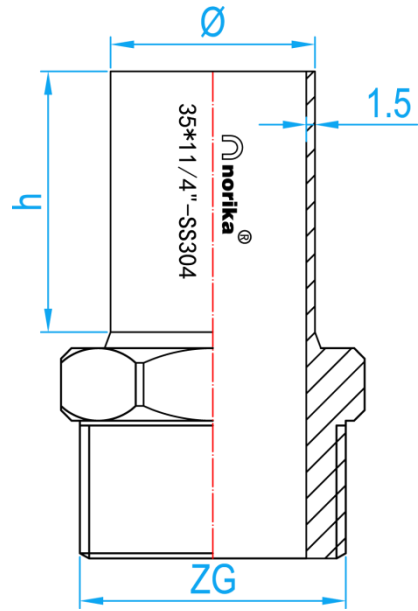
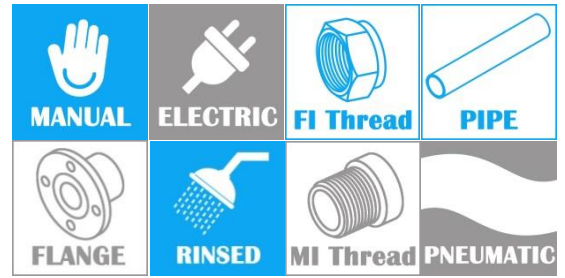


STAINLESS STEEL PRESS FIT FITTINGS

COMPLY WITH BSEN1254-2:1998

[MI] PIPE



CROSS SECTIONAL VIEW

DIMENSIONS

STOCK CODE	SIZE (mm)	ZG (mm)	Ø (mm)	h (mm)	WEIGHT (kg)	PCS/CTN
SSPFNMI35	35	1½"BSPT	35	40	0.150	50
SSPFNMI42	42	1½"BSPT	42	45	0.190	50
SSPFNMI50	50	2"BSPT	54	50	0.335	50