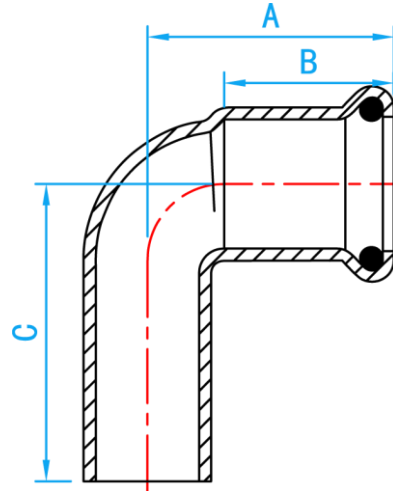


COPPER PRESS FIT FITTINGS

COMPLY WITH BSEN1254-2:1998

90° ELBOW MXF



CROSS SECTIONAL VIEW

DIMENSIONS

SKU	SIZE (mm)	A (mm)	B (mm)	C (mm)	WEIGHT (Kg)	PCS/CTN
PFNE90015MF	15	29.0	20.0	35.0	0.044	200
PFNE90020MF	22	34.0	21.0	43.0	0.081	100
PFNE90025MF	28	40.0	23.0	47.0	0.114	60
PFNE90035MF	35	68.0	26.0	82.0	0.184	24
PFNE90042MF	42	80.0	30.0	103.0	0.265	16
PFNE90050MF	54	100.0	35.0	123.0	0.409	12
PFNE90065MF	67	132.0	50.0	140.0	0.745	5