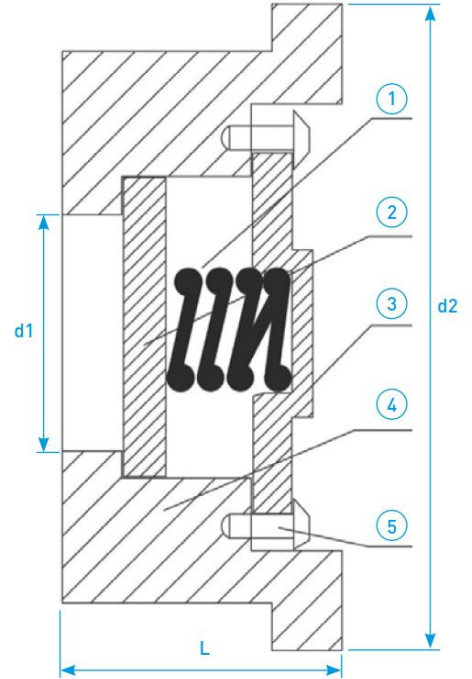


# SPRING LOADED CHECK VALVE

COMPLY WITH BS 6755:part1:1986  
AS/NZS4020:2005



CROSS SECTIONAL VIEW

### STANDARD SPECIFICATIONS

Nominal Pressure	10K/PN20/150Lbs
Sealing Test Pressure	1.76Mpa
Strength Test Pressure	2.4Mpa
Operating Temperature	-10 ~ 120°C

### DIMENSIONS

SKU	SIZE (mm)	d1 (mm)	L (mm)	d2 (mm)	WEIGHT (kg)
CVSS316N042	42	40	31.5	94	0.60
CVSS316N050	50	50	40	107	1.00
CVSS316N065	65	65	46	126	1.35
CVSS316N080	80	80	50	144	2.00
CVSS316N100	100	100	60	162	3.20

### COMPONENT PARTS

ITEM	PARTS	MATERIAL
1	Spring	AISI316
2	Disc	AISI316
3	Body	AISI316
4	Spring Cover	AISI316
5	Bolt	AISI316