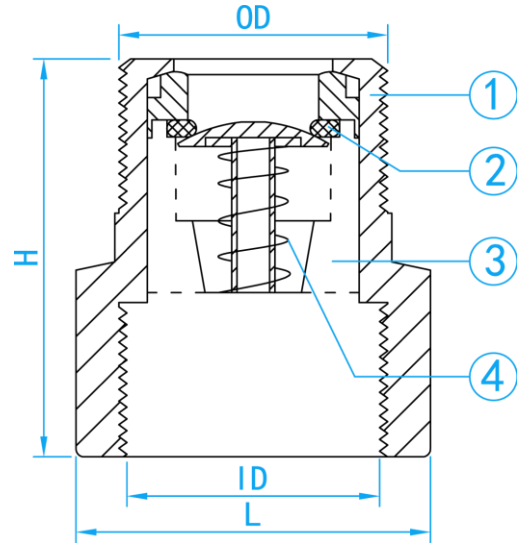
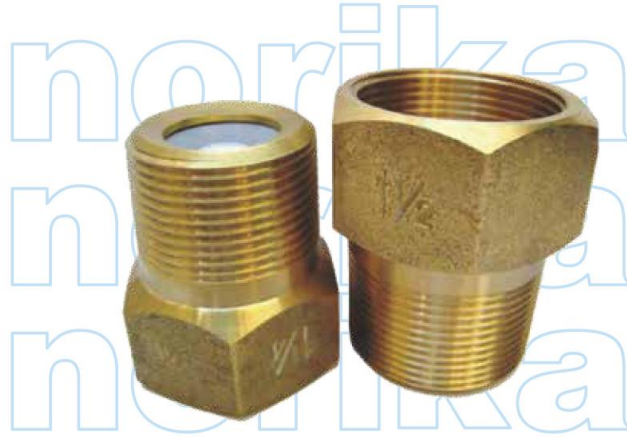


BRASS CHECK VALVE M x F

COMPLY WITH BS 5154:1991
 AS/NZS 4020:2005
 SS 375:2001
 BS EN 12165:1998



CROSS SECTIONAL VIEW

STANDARD SPECIFICATIONS

Working Pressure	200 Psi
Applicable Medium	Water

COMPONENT PARTS

ITEM	PARTS	MATERIAL
1.	Body	DZR Brass
2.	Disc	NBR
3.	Piston	POM
4.	Spring	AISI304

DIMENSIONS

SKU	SIZE (mm)	OD (inch)	ID (inch)	H (mm)	L (mm)	WEIGHT (kg)	PCS/CTN
CVCRN015MF	15	1/2" BSPT	1/2" BSP	35	25	0.048	340
CVCRN020MF	20	3/4" BSPT	3/4" BSP	38.5	36	0.091	200
CVCRN025MF	25	1" BSPT	1" BSP	49	43.5	0.167	120
CVCRN035MF	35	1-1/4" BSPT	1-1/4" BSP	60	48	0.273	80
CVCRN042MF	42	1-1/2" BSPT	1-1/2" BSP	67	54	0.357	48
CVCRN050MF	50	2" BSPT	2" BSP	75	74.5	0.555	30
CVCRN065MF	65	2-1/2" BSPT	2-1/2" BSP	80	80	0.997	20