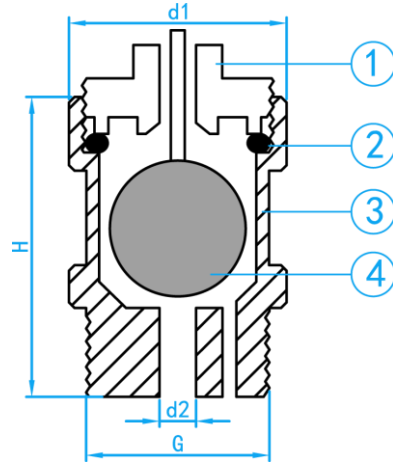
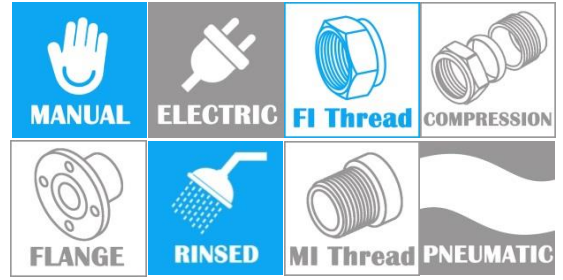


AUTOMATIC AIR RELEASE VALVE



CROSS SECTIONAL VIEW

SPECIFICATION	
Hydraulic Test Pressure	300 PSI
Working Pressure	175 PSI

COMPONENT PARTS		
ITEM	PARTS	MATERIAL
1	Cap	Brass
2	Seal	EPDM
3	Body	Brass
4	Rubber	EPDM

DIMENSIONS									
SKU	MATERIAL	SIZE (mm)	d1(mm)	d2 (mm)	G(mm)	H(mm)	WEIGHT(kg)	PCS/CTN	
FAV25	BRASS	25	39.5	6.6	1" BSP	54	0.304	50	